



Identification	Type	LRC-M1-0490 3AC 500V 4kW
	Part-No.	700490
Technical data		
Function type	Motor suppression	
Protection device	RC module	
Nominal voltage	3 ACx500 V	
Rated frequency	50–60 Hz	
Motor performance	4 kW	
Type of connecting lead	H05V-K 1.0 mm ²	
Length of connecting lead (M)	0.22 M	
Suppression type	Motor connection delta	
General		
Form	M1	
Pottant	2-components	
Housing material	PPO	
Protection class	IP 67	
Field installation	with mounting hole M4 or attachable to TS 35 (EN 50022) with 2 snap-on sockets each	
Termination	Fork-type cable lug M4	
Operation temperature range	-20 °C – 60 °C	
Storage temperature range	-40 °C ... 90 °C	
Dimensions (w × h × d)	15.0 × 70.0 × 48.0 mm	

29.01.2017 – Subject to technical modification

Part-No. 700490

USA: LUTZE INC.

13330 South Ridge Drive • Charlotte, NC 28273, USA
 Tel. +1 (704) 504-0222 • Fax +1 (704) 504-0223
 www.lutze.com • info@lutze.com

United Kingdom: LÜTZE Ltd.

Unit 3, Sandy Hill Park
 Sandy Way, Amington • GB-Tamworth, Staffs B77 4DU
 Tel. +44 (0)1827 31333-0 • Fax +44 (0)1827 31333-2
 www.lutze.com • sales.gb@lutze.co.uk

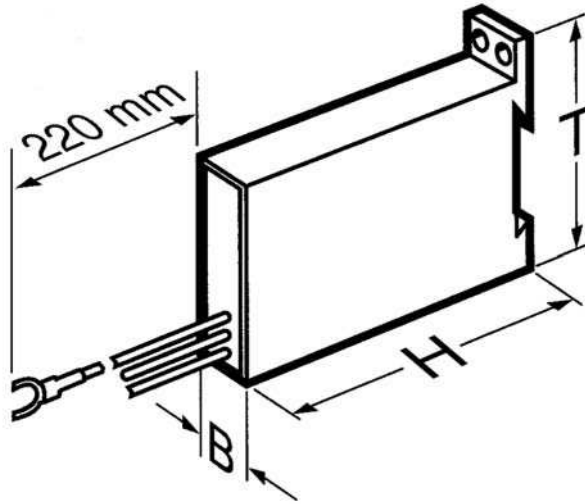


SYSTEMATIC TECHNOLOGY

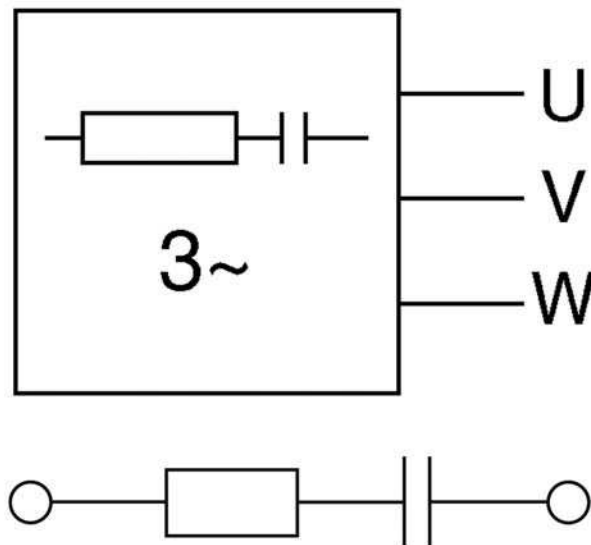
Technical data sheet • Suppression Technology

Weight (kg/piece) 0.066
Approvals cURus

Dimensions



PIN assignment



29.01.2017 – Subject to technical modification

Part-No. 700490

USA: LUTZE INC.

13330 South Ridge Drive • Charlotte, NC 28273, USA
Tel. +1 (704) 504-0222 • Fax +1 (704) 504-0223
www.lutze.com • info@lutze.com

United Kingdom: LÜTZE Ltd.

Unit 3, Sandy Hill Park

Sandy Way, Amington • GB-Tamworth, Staffs B77 4DU
Tel. +44 (0)1827 31333-0 • Fax +44 (0)1827 31333-2
www.lutze.com • sales.gb@lutze.co.uk

Technical data sheet · Suppression Technology

Symbols



Accessories

Accessories	Color	Article number	Description
Snap-on socket for hat profile TS35	700499	Socket for attaching of the suppressor module to hat profile TS35 (EN 50022) or G-rails	10

29.01.2017 – Subject to technical modification

Part-No. 700490

USA: LUTZE INC.

13330 South Ridge Drive · Charlotte, NC 28273, USA

Tel. +1 (704) 504-0222 · Fax +1 (704) 504-0223

www.lutze.com · info@lutze.com

United Kingdom: LÜTZE Ltd.

Unit 3, Sandy Hill Park

Sandy Way, Amington · GB-Tamworth, Staffs B77 4DU

Tel. +44 (0)1827 31333-0 · Fax +44 (0)1827 31333-2

www.lutze.com · sales.gb@lutze.co.uk



SYSTEMATIC TECHNOLOGY