



Identification	Type	LRC-V8-0857 AC 230V
	Part-No.	700857

Technical data	
Function type	Plug adaptor
Protection device	RC module
Nominal voltage	AC 230 V
Shut-off points	≤300 V
Rated frequency	50–60 Hz
Holding capacitance	10 VA

General	
Form	A (V8)
Status indication LED	Glow lamp
Housing material	PA black / transparent
Protection class	IP 65
Field installation	pluggable on solenoid coil, plug seal not applicable
Operation temperature range	-20 °C – 60 °C
Storage temperature range	-25 °C ... 80 °C
Dimensions (w × h × d)	29.5 × 41.5 × 45.0 mm
Weight (kg/piece)	0.010
Standards	EN 175301-803 (DIN 43 650), ISO 4400

29.01.2017 – Subject to technical modification

Part-No. 700857

USA: LUTZE INC.

13330 South Ridge Drive • Charlotte, NC 28273, USA
Tel. +1 (704) 504-0222 • Fax +1 (704) 504-0223
www.lutze.com • info@lutze.com

United Kingdom: LÜTZE Ltd.

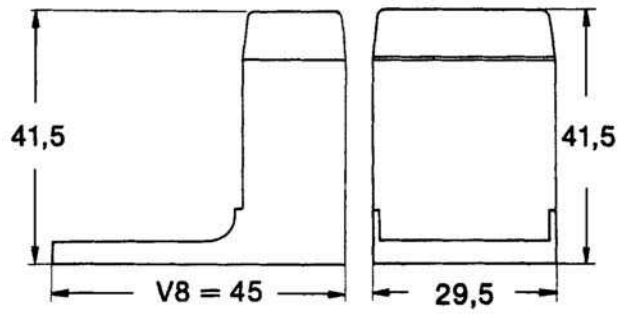
Unit 3, Sandy Hill Park
Sandy Way, Amington • GB-Tamworth, Staffs B77 4DU
Tel. +44 (0)1827 31333-0 • Fax +44 (0)1827 31333-2
www.lutze.com • sales.gb@lutze.co.uk



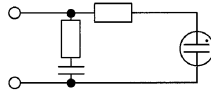
SYSTEMATIC TECHNOLOGY

Technical data sheet • Suppression Technology

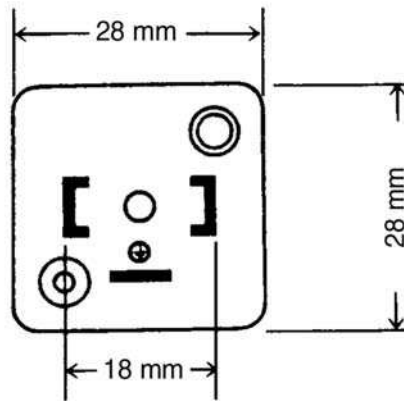
Dimensions



PIN assignment



Contact arrangement



29.01.2017 – Subject to technical modification

Part-No. 700857

USA: LUTZE INC.

13330 South Ridge Drive • Charlotte, NC 28273, USA
Tel. +1 (704) 504-0222 • Fax +1 (704) 504-0223
www.lutze.com • info@lutze.com

United Kingdom: LÜTZE Ltd.

Unit 3, Sandy Hill Park
Sandy Way, Amington • GB-Tamworth, Staffs B77 4DU
Tel. +44 (0)1827 31333-0 • Fax +44 (0)1827 31333-2
www.lutze.com • sales.gb@lutze.co.uk