



Identification	Type	LV-RM1-1533 3AC 575V 4kW
	Part-No.	701533

Technical data		
Function type	Motor suppression	
Protection device	varistor	
Nominal voltage	3 ACx575 V	
Shut-off points	≤1075 V	
Rated frequency	10–400 Hz	
Motor performance	4 kW	
Type of connecting lead	H07V-K 1.5 mm ² , black	
Length of connecting lead (M)	0.12 M	
Fittings	M16 x 1.5	

General		
Form	RM1	
Pottant	2-components	
Housing material	PPO	
Protection class	IP 67	
Field installation	Screwed into terminal housing directly	
Termination	Ring terminal M5	
Operation temperature range	-20 °C – 60 °C	
Storage temperature range	-40 °C ... 90 °C	

29.01.2017 – Subject to technical modification

Part-No. 701533

USA: LUTZE INC.

13330 South Ridge Drive • Charlotte, NC 28273, USA
Tel. +1 (704) 504-0222 • Fax +1 (704) 504-0223
www.lutze.com • info@lutze.com

United Kingdom: LÜTZE Ltd.

Unit 3, Sandy Hill Park
Sandy Way, Amington • GB-Tamworth, Staffs B77 4DU
Tel. +44 (0)1827 31333-0 • Fax +44 (0)1827 31333-2
www.lutze.com • sales.gb@lutze.co.uk

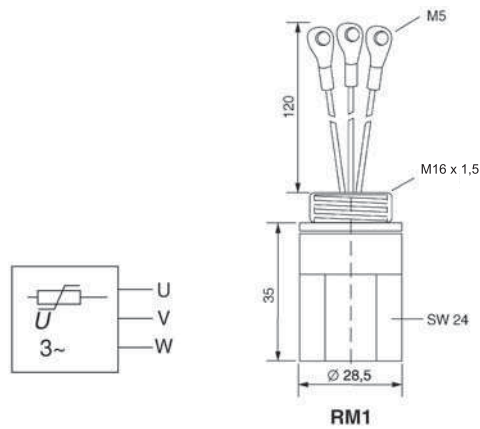


SYSTEMATIC TECHNOLOGY

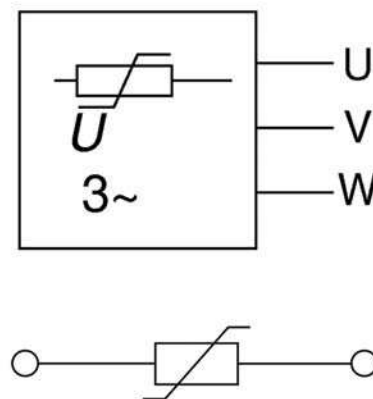
Technical data sheet • Suppression Technology

Dimensions (w × h × d)	28.5 × 45.5 × 24.0 mm
Weight (kg/piece)	0.040
Approvals	cURus

Dimensions



PIN assignment



Symbols



29.01.2017 – Subject to technical modification

Part-No. 701533

USA: LUTZE INC.

13330 South Ridge Drive • Charlotte, NC 28273, USA
Tel. +1 (704) 504-0222 • Fax +1 (704) 504-0223
www.lutze.com • info@lutze.com

United Kingdom: LÜTZE Ltd.

Unit 3, Sandy Hill Park
Sandy Way, Amington • GB-Tamworth, Staffs B77 4DU
Tel. +44 (0)1827 31333-0 • Fax +44 (0)1827 31333-2
www.lutze.com • sales.gb@lutze.co.uk