



Identification	Type	LV-RM2-1534 3AC 575V 7,5kW
	Part-No.	701534

Technical data

Function type	Motor suppression
Protection device	varistor
Nominal voltage	3 ACx575 V
Shut-off points	≤1075 V
Rated frequency	10–400 Hz
Motor performance	7.5 kW
Type of connecting lead	H07V-K 1.5 mm ² , black
Length of connecting lead (M)	0.15 M
Fittings	M32 x 1.5

General

Form	RM2
Pottant	2-components
Housing material	PPO
Protection class	IP 67
Field installation	Screwed into terminal housing directly
Termination	Ring terminal M6
Operation temperature range	-20 °C – 60 °C
Storage temperature range	-40 °C ... 90 °C

29.01.2017 – Subject to technical modification

Part-No. 701534

USA: LUTZE INC.

13330 South Ridge Drive • Charlotte, NC 28273, USA
Tel. +1 (704) 504-0222 • Fax +1 (704) 504-0223
www.lutze.com • info@lutze.com

United Kingdom: LÜTZE Ltd.

Unit 3, Sandy Hill Park
Sandy Way, Amington • GB-Tamworth, Staffs B77 4DU
Tel. +44 (0)1827 31333-0 • Fax +44 (0)1827 31333-2
www.lutze.com • sales.gb@lutze.co.uk

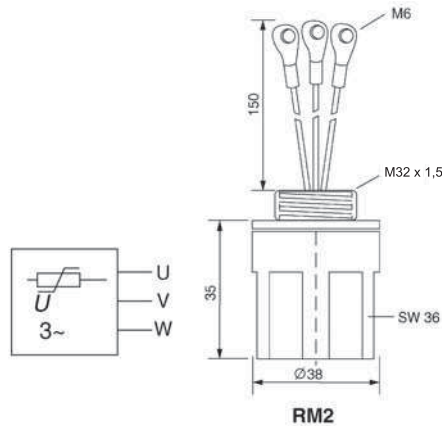


SYSTEMATIC TECHNOLOGY

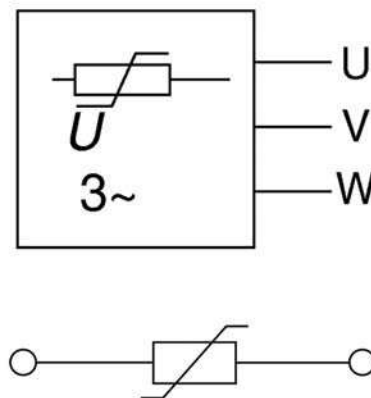
Technical data sheet • Suppression Technology

Dimensions (w × h × d)	38.0 × 45.5 × 36.0 mm
Weight (kg/piece)	0.075
Approvals	cURus

Dimensions



PIN assignment



Symbols



29.01.2017 – Subject to technical modification

Part-No. 701534

USA: LUTZE INC.

13330 South Ridge Drive • Charlotte, NC 28273, USA
Tel. +1 (704) 504-0222 • Fax +1 (704) 504-0223
www.lutze.com • info@lutze.com

United Kingdom: LÜTZE Ltd.

Unit 3, Sandy Hill Park
Sandy Way, Amington • GB-Tamworth, Staffs B77 4DU
Tel. +44 (0)1827 31333-0 • Fax +44 (0)1827 31333-2
www.lutze.com • sales.gb@lutze.co.uk