

<b>Identification</b>	Type	LRC-VM1-6115 3AC 500V 7,5kW
	Part-No.	706115

**Technical data**

Function type	Motor suppression
Protection device	RC module
Nominal voltage	3 ACx500 V
Rated frequency	50–60 Hz
Motor performance	7.5 kW
Type of connecting lead	H05V-K 1.0 mm <sup>2</sup> ; black
Length of connecting lead (M)	0.22 M
Suppression type	Motor connection star

**General**

Form	VM1
Pottant	2-components
Housing material	PPO
Protection class	IP 67
Field installation	For inserting in the motor junction plate, for the bolting on with mounting hole M4 or for attachment to hat profile TS35 with 2 snap-on sockets (accessory)
Termination	3 wires with fork-type cable lug M4
Operation temperature range	-20 °C – 60 °C
Storage temperature range	-40 °C ... 90 °C
Dimensions (w × h × d)	15.0 × 40.0 × 48.0 mm

29.01.2017 – Subject to technical modification

Part-No. 706115

USA: LUTZE INC.

13330 South Ridge Drive • Charlotte, NC 28273, USA  
 Tel. +1 (704) 504-0222 • Fax +1 (704) 504-0223  
 www.lutze.com • info@lutze.com

United Kingdom: LÜTZE Ltd.

Unit 3, Sandy Hill Park  
 Sandy Way, Amington • GB-Tamworth, Staffs B77 4DU  
 Tel. +44 (0)1827 31333-0 • Fax +44 (0)1827 31333-2  
 www.lutze.com • sales.gb@lutze.co.uk

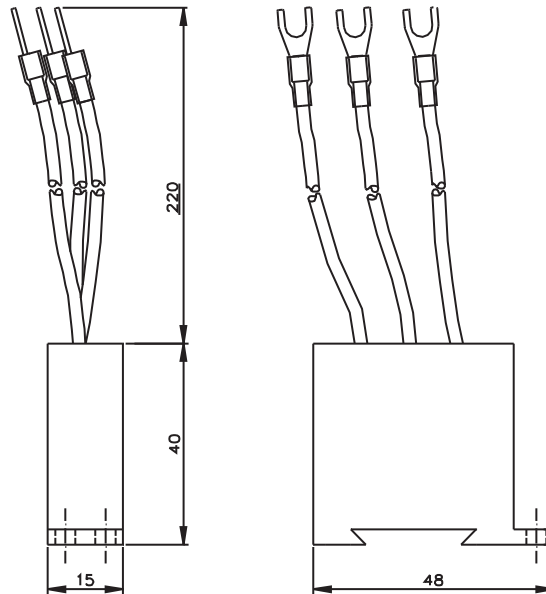


SYSTEMATIC TECHNOLOGY

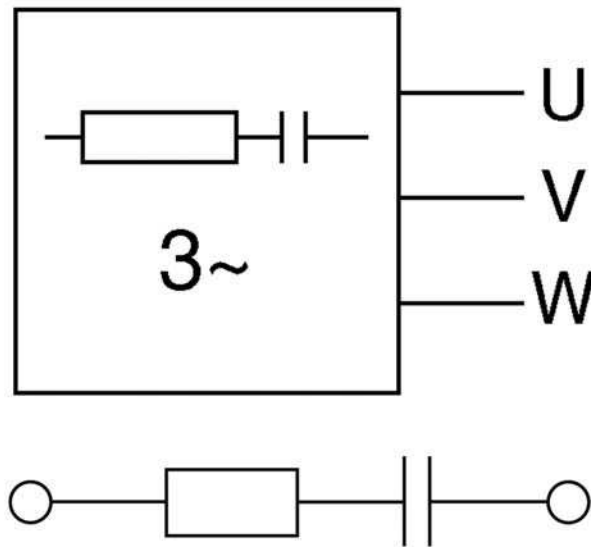
# Technical data sheet • Suppression Technology

Weight (kg/piece) 0.049  
Approvals cURus

## Dimensions



## PIN assignment



29.01.2017 – Subject to technical modification

Part-No. 706115

USA: LUTZE INC.

13330 South Ridge Drive • Charlotte, NC 28273, USA  
Tel. +1 (704) 504-0222 • Fax +1 (704) 504-0223  
www.lutze.com • info@lutze.com

United Kingdom: LÜTZE Ltd.

Unit 3, Sandy Hill Park  
Sandy Way, Amington • GB-Tamworth, Staffs B77 4DU  
Tel. +44 (0)1827 31333-0 • Fax +44 (0)1827 31333-2  
www.lutze.com • sales.gb@lutze.co.uk

## Technical data sheet · Suppression Technology

---

### Symbols



---

### Accessories

---

Accessories	Color	Article number	Description
Snap-on socket for hat profile TS35	700499	Socket for attaching of the suppressor module to hat profile TS35 (EN 50022) or G-rails	10

29.01.2017 – Subject to technical modification

Part-No. 706115

USA: LUTZE INC.

13330 South Ridge Drive · Charlotte, NC 28273, USA

Tel. +1 (704) 504-0222 · Fax +1 (704) 504-0223

www.lutze.com · info@lutze.com

United Kingdom: LÜTZE Ltd.

Unit 3, Sandy Hill Park

Sandy Way, Amington · GB-Tamworth, Staffs B77 4DU

Tel. +44 (0)1827 31333-0 · Fax +44 (0)1827 31333-2

www.lutze.com · sales.gb@lutze.co.uk



SYSTEMATIC TECHNOLOGY