

|                               |   |                             |
|-------------------------------|---|-----------------------------|
| <b>Identification</b>         | Type                                      | LV-S10-6120 3 AC 500V 5,5kW |
|                               | Part-No.                                  | 706120                      |
| <b>Technical data</b>         |   |                             |
| Function type                 | Motor suppression                         |                             |
| Protection device             | varistor                                  |                             |
| Nominal voltage               | 3 ACx500 V                                |                             |
| Shut-off points               | ≤1075 V                                   |                             |
| Rated frequency               | 10–400 Hz                                 |                             |
| Motor performance             | 5.5 kW                                    |                             |
| Type of connecting lead       | LIH; 1.5 mm <sup>2</sup> ; black          |                             |
| Length of connecting lead (M) | 0.059 M                                   |                             |
| Suppression type              | Motor connection star                     |                             |
| <b>General</b>                |   |                             |
| Form                          | S10                                       |                             |
| Pottant                       | 2-components                              |                             |
| Housing material              | PA 6.6                                    |                             |
| Protection class              | IP 67                                     |                             |
| Field installation            | for inserting in the motor junction plate |                             |
| Termination                   | 3 wires with fork-type cable lug M5       |                             |
| Operation temperature range   | -20 °C – 60 °C                            |                             |
| Storage temperature range     | -40 °C ... 90 °C                          |                             |

29.01.2017 – Subject to technical modification

Part-No. 706120

USA: LUTZE INC.

13330 South Ridge Drive • Charlotte, NC 28273, USA  
Tel. +1 (704) 504-0222 • Fax +1 (704) 504-0223  
www.lutze.com • info@lutze.com

United Kingdom: LÜTZE Ltd.

Unit 3, Sandy Hill Park  
Sandy Way, Amington • GB-Tamworth, Staffs B77 4DU  
Tel. +44 (0)1827 31333-0 • Fax +44 (0)1827 31333-2  
www.lutze.com • sales.gb@lutze.co.uk

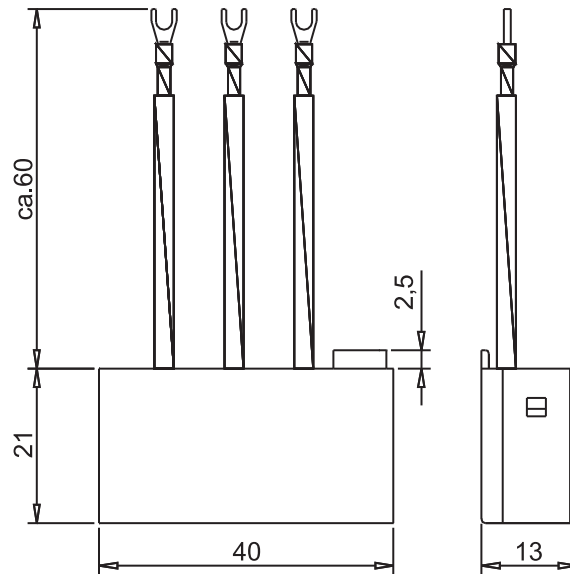


SYSTEMATIC TECHNOLOGY

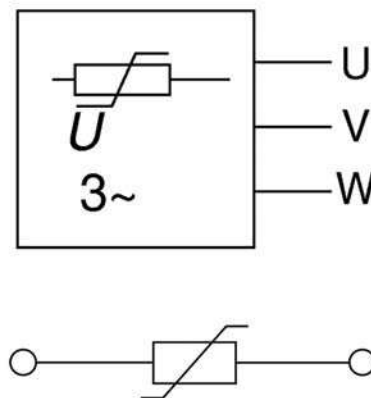
# Technical data sheet • Suppression Technology

|                        |                       |
|------------------------|-----------------------|
| Dimensions (w × h × d) | 40.0 × 21.0 × 13.0 mm |
| Weight (kg/piece)      | 0.023                 |
| Approvals              | cURus                 |

## Dimensions



## PIN assignment



29.01.2017 – Subject to technical modification

Part-No. 706120

USA: LUTZE INC.

13330 South Ridge Drive • Charlotte, NC 28273, USA  
Tel. +1 (704) 504-0222 • Fax +1 (704) 504-0223  
www.lutze.com • info@lutze.com

United Kingdom: LÜTZE Ltd.

Unit 3, Sandy Hill Park

Sandy Way, Amington • GB-Tamworth, Staffs B77 4DU  
Tel. +44 (0)1827 31333-0 • Fax +44 (0)1827 31333-2

www.lutze.com • sales.gb@lutze.co.uk

**Symbols**



29.01.2017 – Subject to technical modification

Part-No. 706120

USA: LUTZE INC.

13330 South Ridge Drive • Charlotte, NC 28273, USA

Tel. +1 (704) 504-0222 • Fax +1 (704) 504-0223

[www.lutze.com](http://www.lutze.com) • [info@lutze.com](mailto:info@lutze.com)

United Kingdom: LÜTZE Ltd.

Unit 3, Sandy Hill Park

Sandy Way, Amington • GB-Tamworth, Staffs B77 4DU

Tel. +44 (0)1827 31333-0 • Fax +44 (0)1827 31333-2

[www.lutze.com](http://www.lutze.com) • [sales.gb@lutze.co.uk](mailto:sales.gb@lutze.co.uk)



SYSTEMATIC TECHNOLOGY