

<b>Identification</b>	Type	LV-S10-6121 3 AC 500V 7,5kW
	Part-No.	706121

<b>Technical data</b>	
Function type	Motor suppression
Protection device	varistor
Nominal voltage	3 ACx500 V
Shut-off points	≤1075 V
Rated frequency	10–400 Hz
Motor performance	7.5 kW
Type of connecting lead	LIH; 1.5 mm <sup>2</sup> ; black
Length of connecting lead (M)	0.059 M
Suppression type	Motor connection star

<b>General</b>	
Form	S10
Pottant	2-components
Housing material	PA 6.6
Protection class	IP 67
Field installation	for inserting in the motor junction plate
Termination	3 wires with fork-type cable lug M5
Operation temperature range	-20 °C – 60 °C
Storage temperature range	-40 °C ... 90 °C

29.01.2017 – Subject to technical modification

Part-No. 706121

USA: LUTZE INC.

13330 South Ridge Drive • Charlotte, NC 28273, USA  
Tel. +1 (704) 504-0222 • Fax +1 (704) 504-0223  
www.lutze.com • info@lutze.com

United Kingdom: LÜTZE Ltd.

Unit 3, Sandy Hill Park  
Sandy Way, Amington • GB-Tamworth, Staffs B77 4DU  
Tel. +44 (0)1827 31333-0 • Fax +44 (0)1827 31333-2  
www.lutze.com • sales.gb@lutze.co.uk

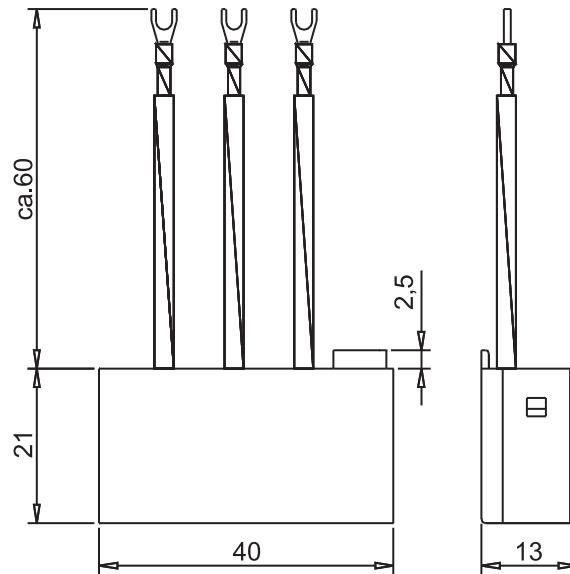


SYSTEMATIC TECHNOLOGY

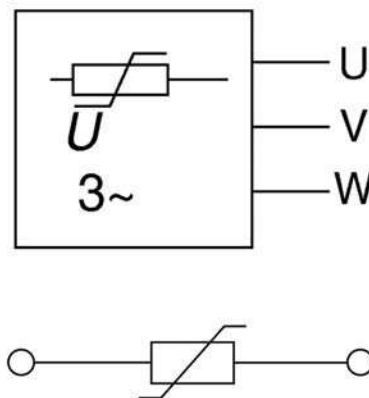
# Technical data sheet • Suppression Technology

Dimensions (w × h × d)	40.0 × 21.0 × 13.0 mm
Weight (kg/piece)	0.023
Approvals	cURus

## Dimensions



## PIN assignment



29.01.2017 – Subject to technical modification

Part-No. 706121

USA: LUTZE INC.

13330 South Ridge Drive • Charlotte, NC 28273, USA  
Tel. +1 (704) 504-0222 • Fax +1 (704) 504-0223  
www.lutze.com • info@lutze.com

United Kingdom: LÜTZE Ltd.

Unit 3, Sandy Hill Park  
Sandy Way, Amington • GB-Tamworth, Staffs B77 4DU  
Tel. +44 (0)1827 31333-0 • Fax +44 (0)1827 31333-2  
www.lutze.com • sales.gb@lutze.co.uk

**Symbols**



29.01.2017 – Subject to technical modification

Part-No. 706121

USA: LUTZE INC.

13330 South Ridge Drive • Charlotte, NC 28273, USA

Tel. +1 (704) 504-0222 • Fax +1 (704) 504-0223

[www.lutze.com](http://www.lutze.com) • [info@lutze.com](mailto:info@lutze.com)

United Kingdom: LÜTZE Ltd.

Unit 3, Sandy Hill Park

Sandy Way, Amington • GB-Tamworth, Staffs B77 4DU

Tel. +44 (0)1827 31333-0 • Fax +44 (0)1827 31333-2

[www.lutze.com](http://www.lutze.com) • [sales.gb@lutze.co.uk](mailto:sales.gb@lutze.co.uk)



SYSTEMATIC TECHNOLOGY