



<b>Identification</b>	Type	MPE-6-0626 AC/DC 250V
	Part-No.	710626
<b>Description</b>	Mounting module with soldering terminals for free component fitting of assembly parts AC/DC 250 V, 4A Screw-/spring terminal	
<b>General</b>		
Pin spacing	4.5 mm	
Dimensions (w x h x d)	35.0 x x 45.0 mm	
Connection device	Solder pin Screw terminal	
Design	Varioprint	
Weight	0.048 kg/piece	

25.08.2017 – Subject to technical modification

Part-No. 710626

USA: LUTZE INC.

13330 South Ridge Drive • Charlotte, NC 28273, USA  
Tel. +1 (704) 504-0222 • Fax +1 (704) 504-0223  
www.lutze.com • info@lutze.com

United Kingdom: LÜTZE Ltd.

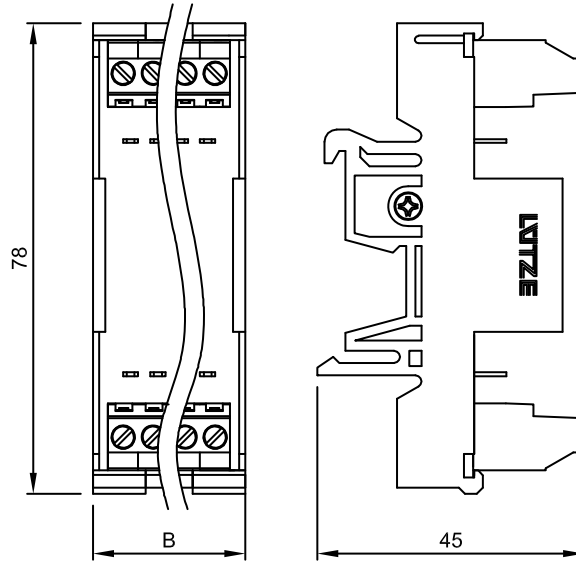
Unit 3, Sandy Hill Park  
Sandy Way, Amington • GB-Tamworth, Staffs B77 4DU  
Tel. +44 (0)1827 31333-0 • Fax +44 (0)1827 31333-2  
www.lutze.com • sales.gb@lutze.co.uk



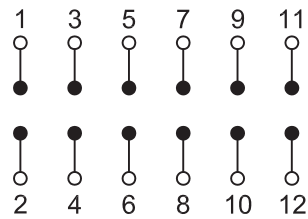
SYSTEMATIC TECHNOLOGY

# Technical data sheet • Function module

## Dimensions



## PIN assignment



25.08.2017 – Subject to technical modification

Part-No. 710626

USA: LUTZE INC.

13330 South Ridge Drive • Charlotte, NC 28273, USA

Tel. +1 (704) 504-0222 • Fax +1 (704) 504-0223

www.lutze.com • info@lutze.com

United Kingdom: LÜTZE Ltd.

Unit 3, Sandy Hill Park

Sandy Way, Amington • GB-Tamworth, Staffs B77 4DU

Tel. +44 (0)1827 31333-0 • Fax +44 (0)1827 31333-2

www.lutze.com • sales.gb@lutze.co.uk



SYSTEMATIC TECHNOLOGY