



Identification	Type	MPE-12-0663 250V KL
	Part-No.	710663
Description	Mounting module with soldering terminals for free component fitting of assembly parts AC/DC 250 V, 4A Screw-/spring terminal	
General		
Pin spacing	5 mm	
Dimensions (w × h × d)	65.0 × × 45.0 mm	
Connection device	Solder pin Screw terminal	
Design	Varioprint	
Weight	0.095 kg/piece	

25.08.2017 – Subject to technical modification

Part-No. 710663

USA: LUTZE INC.

13330 South Ridge Drive • Charlotte, NC 28273, USA
Tel. +1 (704) 504-0222 • Fax +1 (704) 504-0223
www.lutze.com • info@lutze.com

United Kingdom: LÜTZE Ltd.

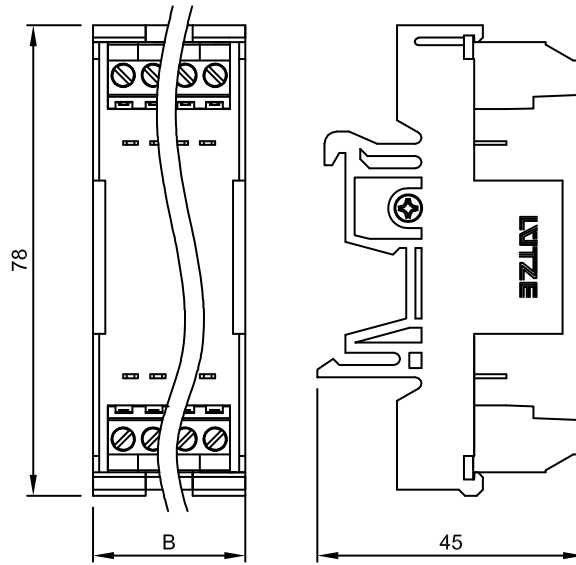
Unit 3, Sandy Hill Park
Sandy Way, Amington • GB-Tamworth, Staffs B77 4DU
Tel. +44 (0)1827 31333-0 • Fax +44 (0)1827 31333-2
www.lutze.com • sales.gb@lutze.co.uk



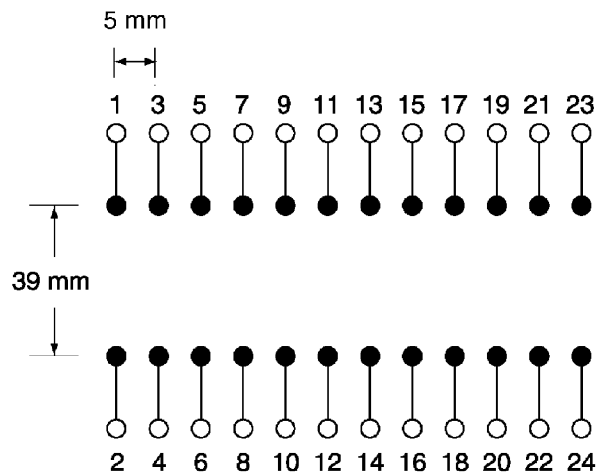
SYSTEMATIC TECHNOLOGY

Technical data sheet • Function module

Dimensions



PIN assignment



25.08.2017 – Subject to technical modification

Part-No. 710663

USA: LUTZE INC.

13330 South Ridge Drive • Charlotte, NC 28273, USA
Tel. +1 (704) 504-0222 • Fax +1 (704) 504-0223
www.lutze.com • info@lutze.com

United Kingdom: LÜTZE Ltd.

Unit 3, Sandy Hill Park
Sandy Way, Amington • GB-Tamworth, Staffs B77 4DU
Tel. +44 (0)1827 31333-0 • Fax +44 (0)1827 31333-2
www.lutze.com • sales.gb@lutze.co.uk



SYSTEMATIC TECHNOLOGY