



Identification	Type Part-No.	MPE-15-0664 250V KL 710664
Description	Mounting module with soldering terminals for free component fitting of assembly parts AC/DC 250 V, 4A Screw-/spring terminal	
General	Pin spacing 5 mm Dimensions (w x h x d) 80.0 x x 45.0 mm Connection device Solder pin Screw terminal Design Varioprint Weight 0.125 kg/piece	

25.08.2017 – Subject to technical modification

Part-No. 710664

USA: LUTZE INC.

13330 South Ridge Drive • Charlotte, NC 28273, USA
Tel. +1 (704) 504-0222 • Fax +1 (704) 504-0223
www.lutze.com • info@lutze.com

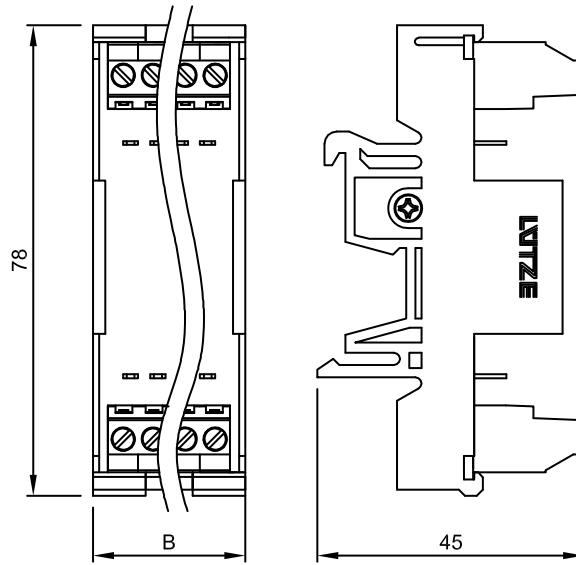
United Kingdom: LÜTZE Ltd.

Unit 3, Sandy Hill Park
Sandy Way, Amington • GB-Tamworth, Staffs B77 4DU
Tel. +44 (0)1827 31333-0 • Fax +44 (0)1827 31333-2
www.lutze.com • sales.gb@lutze.co.uk

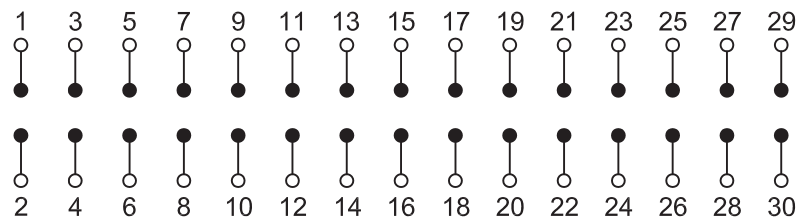


Technical data sheet • Function module

Dimensions



PIN assignment



25.08.2017 – Subject to technical modification

Part-No. 710664

USA: LUTZE INC.

13330 South Ridge Drive • Charlotte, NC 28273, USA

Tel. +1 (704) 504-0222 • Fax +1 (704) 504-0223

www.lutze.com • info@lutze.com

United Kingdom: LÜTZE Ltd.

Unit 3, Sandy Hill Park

Sandy Way, Amington • GB-Tamworth, Staffs B77 4DU

Tel. +44 (0)1827 31333-0 • Fax +44 (0)1827 31333-2

www.lutze.com • sales.gb@lutze.co.uk



SYSTEMATIC TECHNOLOGY