



Fuse
Varioprint fuse module

Identification	Type	SIPE-4/E 250V
	Part-No.	710820
Description	AC/DC Load monitoring with fuse (5 × 20 mm) Monitoring circuits 2.5 A und 6.3 A Group signal using potential-free relay contact (only 716123)	
Input	Nominal voltage AC/DC 230 V Input voltage range 0.0 V – 250.0 V Rated current 4 × DC 6.3 A Fuse Glass tube 5x20 mm, not included in delivery Resistor <0.1 Ω Rated insulation voltage (EN 50178) 300 V	
Signal circuit	Rated insulation voltage (EN 40178) 250 V	
General	Operation temperature range -20 °C – 60 °C Operation temperature range -20 °C – 60 °C Storage temperature range -25 °C – 80 °C	

02.04.2016 – Subject to technical modification

Part-No. 710820

USA: LUTZE INC.

13330 South Ridge Drive · Charlotte, NC 28273, USA
Tel. +1 (704) 504-0222 · Fax +1 (704) 504-0223
www.lutze.com · info@lutze.com

United Kingdom: LUTZE Ltd.

Unit 3, Sandy Hill Park
Sandy Way, Amington · GB-Tamworth, Staffs B77 4DU
Tel. +44 (0)1827 31333-0 · Fax +44 (0)1827 31333-2
www.lutze.com · sales.gb@lutze.co.uk

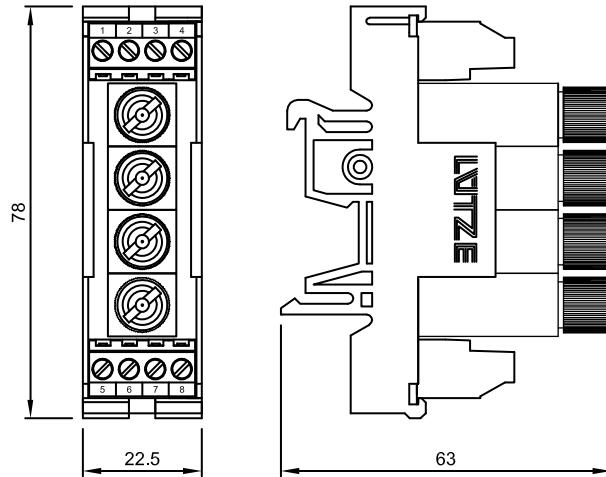


SYSTEMATIC TECHNOLOGY

Technical data sheet · Load monitoring

Dimensions (w × h × d)	22.5 × 77.0 × 63.0 mm
Field installation	rail TS 35 (EN 50022)
Protection class	IP 20
Overvoltage category	I
Pollution degree	2
Weight (kg/piece)	0.070
Termination	Screw terminal: 0.25–2.5 mm ²
Form	Varioprint

Dimensions



PIN assignment



02.04.2016 – Subject to technical modification

Part-No. 710820

USA: LUTZE INC.

13330 South Ridge Drive · Charlotte, NC 28273, USA
Tel. +1 (704) 504-0222 · Fax +1 (704) 504-0223
www.lutze.com · info@lutze.com

United Kingdom: LUTZE Ltd.

Unit 3, Sandy Hill Park
Sandy Way, Amington · GB-Tamworth, Staffs B77 4DU
Tel. +44 (0)1827 31333-0 · Fax +44 (0)1827 31333-2
www.lutze.com · sales.gb@lutze.co.uk