

Varioprint fuse module

Identification	Type	SIPE 4-0824 24 V 4×8 A
	Part-No.	710824

Description	DC Load monitoring with thermal fuse, resettable 4 monitoring circuits 4 A / 8 A Group signal using potential-free relay contact, optical single-channel signal
--------------------	---

Input	
Nominal voltage	DC 24 V
Input voltage range	16.8 V – 30.0 V
Rated current	4 × DC 8 A (max. 10 × I _N)
Fuse	circuit breaker with thermal tripping characteristic
Resistor	(interior) <0.1 Ω
Status Indication	4 × LED green
Rated insulation voltage (EN 50178)	50 V
Reverse voltage protection	4 × LED green
Termination	Spring terminal

Signal circuit	
Contact type	1 change over contact
Min. switching voltage	AC/DC 17 V
Max. switching voltage	AC/DC 250 V

05.03.2014 – Subject to technical modification

Part-No. 710824

USA: LUTZE INC.

13330 South Ridge Drive • Charlotte, NC 28273, USA
Tel. +1 (704) 504-0222 • Fax +1 (704) 504-0223
www.lutze.com • info@lutze.com

United Kingdom: LÜTZE Ltd.

Unit 3, Sandy Hill Park
Sandy Way, Amington • GB-Tamworth, Staffs B77 4DU
Tel. +44 (0)1827 31333-0 • Fax +44 (0)1827 31333-2
www.lutze.com • sales.gb@lutze.co.uk



SYSTEMATIC TECHNOLOGY

Technical data sheet - Load monitoring

Min. switching current	AC/DC 0.10 mA
Max. switching current	AC/DC 3 A
Switch-on delay	8 ms
Switch-off delay	8 ms
Switching capacity	max. 2000 VA
Contact material	AgNi + 0.15 HV
Mechanical service life	2×10^7 operations
Rated insulation voltage (EN 40178)	300 V
Clearance/creep. dist. (control/load side)	>2 mm

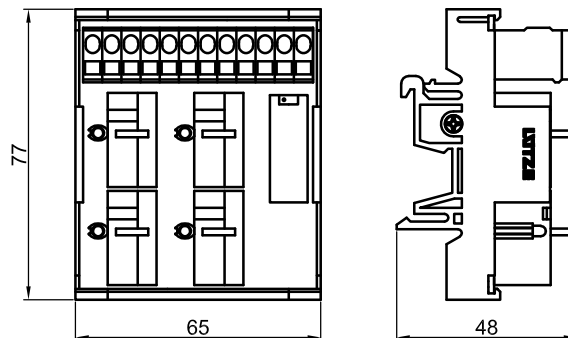
Load Side

Switching element	Relay
-------------------	-------

General

Operation temperature range	-20 °C – 60 °C
Storage temperature range	-25 °C – 80 °C
Dimensions (w × h × d)	65.0 × 77.0 × 48.0 mm
Field installation	rail TS 35 (EN 50022)
Protection class	IP 20
Weight (kg/piece)	0.098
Termination	Spring terminal 0.25–2.5 mm ²
Form	Varioprint
Operation temperature range	-20 °C – 60 °C

Dimensions



05.03.2014 – Subject to technical modification

Part-No. 710824

USA: LUTZE INC.

13330 South Ridge Drive • Charlotte, NC 28273, USA

Tel. +1 (704) 504-0222 • Fax +1 (704) 504-0223

www.lutze.com • info@lutze.com

United Kingdom: LÜTZE Ltd.

Unit 3, Sandy Hill Park

Sandy Way, Amington • GB-Tamworth, Staffs B77 4DU

Tel. +44 (0)1827 31333-0 • Fax +44 (0)1827 31333-2

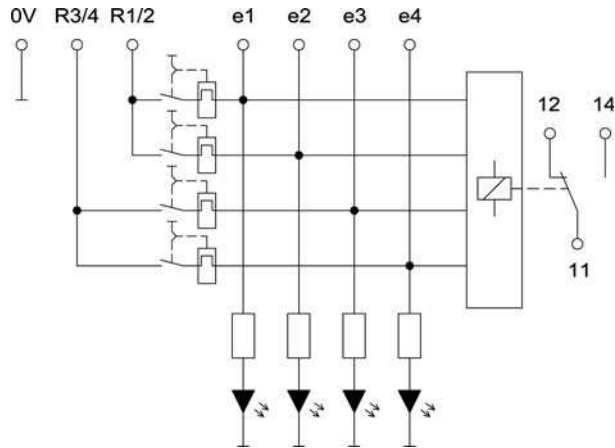
www.lutze.com • sales.gb@lutze.co.uk



SYSTEMATIC TECHNOLOGY

Technical data sheet - Load monitoring

PIN assignment



Comments

Hard gold-plated contacts: So that the gold layer is not damaged, the specified values should not be exceeded. At higher switching capacity, the gold layer vaporizes. The deposition in the housing can lead to sparkovers between the coil and contact.

05.03.2014 – Subject to technical modification

Part-No. 710824

USA: LUTZE INC.

13330 South Ridge Drive • Charlotte, NC 28273, USA

Tel. +1 (704) 504-0222 • Fax +1 (704) 504-0223

www.lutze.com • info@lutze.com

United Kingdom: LÜTZE Ltd.

Unit 3, Sandy Hill Park

Sandy Way, Amington • GB-Tamworth, Staffs B77 4DU

Tel. +44 (0)1827 31333-0 • Fax +44 (0)1827 31333-2

www.lutze.com • sales.gb@lutze.co.uk



SYSTEMATIC TECHNOLOGY