



Identification	Type	PTS - 1 KL. <E>
	Part-No.	716006

Description	Module for free component fitting of potentiometers Verions in single, double or triple design Screw terminal
--------------------	---------------------------------------------------------------------------------------------------------------------

General	
Dimensions (w x h x d)	35.0 x 77.0 x 45.0 mm
Design	Varioprint
Weight	0.058 kg/piece

25.08.2017 – Subject to technical modification

Part-No. 716006

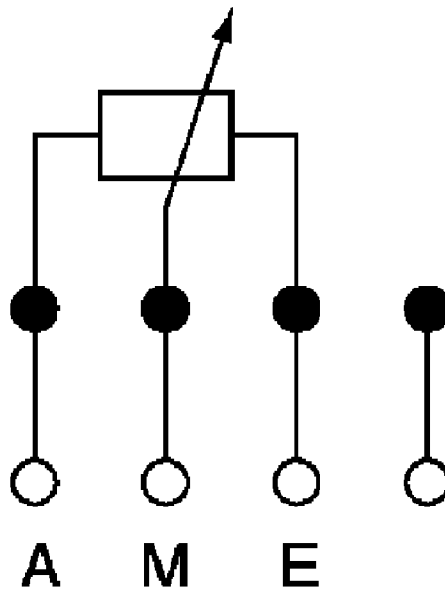
USA: LUTZE INC.

13330 South Ridge Drive · Charlotte, NC 28273, USA
Tel. +1 (704) 504-0222 · Fax +1 (704) 504-0223
www.lutze.com · info@lutze.com

United Kingdom: LÜTZE Ltd.

Unit 3, Sandy Hill Park
Sandy Way, Amington · GB-Tamworth, Staffs B77 4DU
Tel. +44 (0)1827 31333-0 · Fax +44 (0)1827 31333-2
www.lutze.com · sales.gb@lutze.co.uk

PIN assignment



25.08.2017 – Subject to technical modification

Part-No. 716006

USA: LUTZE INC.

13330 South Ridge Drive • Charlotte, NC 28273, USA
Tel. +1 (704) 504-0222 • Fax +1 (704) 504-0223
www.lutze.com • info@lutze.com

United Kingdom: LÜTZE Ltd.

Unit 3, Sandy Hill Park
Sandy Way, Amington • GB-Tamworth, Staffs B77 4DU
Tel. +44 (0)1827 31333-0 • Fax +44 (0)1827 31333-2
www.lutze.com • sales.gb@lutze.co.uk