



Fuse
Varioprint fuse module

Identification	Type	SIPE-6LED-6123
	Part-No.	716123

Description	AC/DC Load monitoring with fuse (5 × 20 mm) Monitoring circuits 2.5 A und 6.3 A Group signal using potential-free relay contact (only 716123)
--------------------	---

Input	
Nominal voltage	DC 24 V
Input voltage range	16.8 V – 30.0 V
Rated current	6 × DC 2.5 A
Fuse	Glass tube 5x20 mm, not included in delivery
Resistor	<0.1 Ω
Rated insulation voltage (EN 50178)	150 V
Reverse voltage protection	4 × LED green

Signal circuit	
Contact type	1 change over contact
Min. switching voltage	AC/DC 17 V
Max. switching voltage	AC/DC 250 V
Min. switching current	AC/DC 0.10 mA
Max. switching current	AC/DC 3 A

02.04.2016 – Subject to technical modification

Part-No. 716123

USA: LUTZE INC.

13330 South Ridge Drive · Charlotte, NC 28273, USA
Tel. +1 (704) 504-0222 · Fax +1 (704) 504-0223
www.lutze.com · info@lutze.com

United Kingdom: LUTZE Ltd.

Unit 3, Sandy Hill Park
Sandy Way, Amington · GB-Tamworth, Staffs B77 4DU
Tel. +44 (0)1827 31333-0 · Fax +44 (0)1827 31333-2
www.lutze.com · sales.gb@lutze.co.uk



SYSTEMATIC TECHNOLOGY

Technical data sheet - Load monitoring

Switch-on delay	8 ms
Switch-off delay	8 ms
Switching capacity	max. 1250 VA
Contact material	AgNi
Mechanical service life	2×10^7 operations
Rated insulation voltage (EN 40178)	250 V
Clearance/creep. dist. (control/load side)	>2 mm

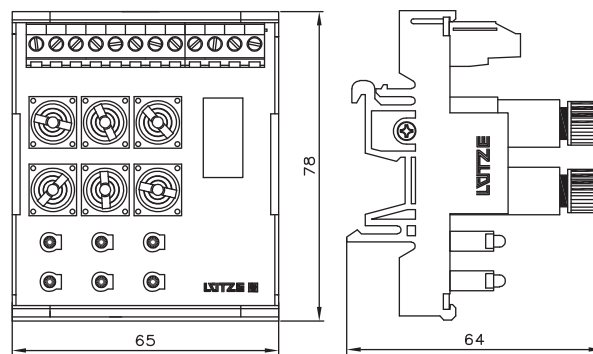
Load Side

Switching element	Relay
-------------------	-------

General

Operation temperature range	-20 °C – 60 °C
Operation temperature range	-20 °C – 60 °C
Storage temperature range	-25 °C – 80 °C
Dimensions (w × h × d)	65.0 × 77.0 × 63.0 mm
Field installation	rail TS 35 (EN 50022)
Protection class	IP 20
Overvoltage category	I
Pollution degree	2
Weight (kg/piece)	0.116
Termination	Screw terminal: 0.25–2.5 mm ²
Form	Varioprint

Dimensions



02.04.2016 – Subject to technical modification

Part-No. 716123

USA: LUTZE INC.

13330 South Ridge Drive • Charlotte, NC 28273, USA
Tel. +1 (704) 504-0222 • Fax +1 (704) 504-0223
www.lutze.com • info@lutze.com

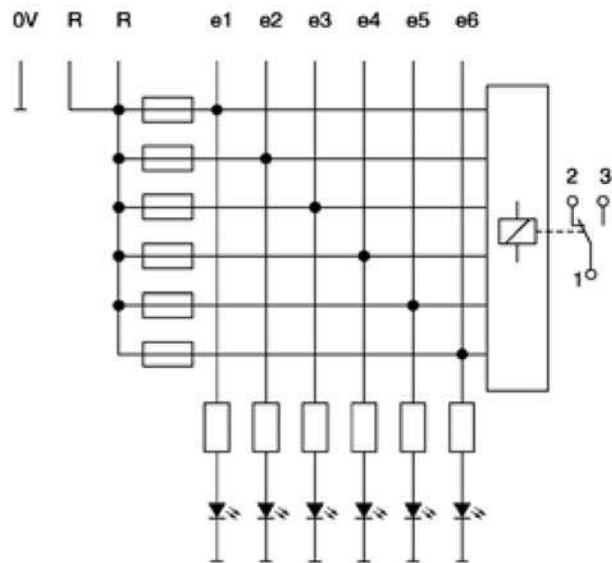
United Kingdom: LUTZE Ltd.

Unit 3, Sandy Hill Park
Sandy Way, Amington • GB-Tamworth, Staffs B77 4DU
Tel. +44 (0)1827 31333-0 • Fax +44 (0)1827 31333-2
www.lutze.com • sales.gb@lutze.co.uk



SYSTEMATIC TECHNOLOGY

PIN assignment



02.04.2016 – Subject to technical modification

Part-No. 716123

USA: LUTZE INC.

13330 South Ridge Drive • Charlotte, NC 28273, USA

Tel. +1 (704) 504-0222 • Fax +1 (704) 504-0223

www.lutze.com • info@lutze.com

United Kingdom: LUTZE Ltd.

Unit 3, Sandy Hill Park

Sandy Way, Amington • GB-Tamworth, Staffs B77 4DU

Tel. +44 (0)1827 31333-0 • Fax +44 (0)1827 31333-2

www.lutze.com • sales.gb@lutze.co.uk



SYSTEMATIC TECHNOLOGY