



Identification	Type	LOCC-Box-C2 NET 7-6414
	Part-No.	716414
Description		
	Electronic load monitoring up to DC 24 A - DC 4 A, with communication Single channel version, adjustable current range, adjustable characteristic with current limitation acc. to NEC class 2	
Input		
Type of function	1-channel 1 pin switching	
Rated voltage U_N	DC 12/24 V	
Operation voltage range	DC 11–30 V	
Input voltage range	10 – 30 V	
Rated current I_N	DC 5 A	
Supply current	DC 40 A over Cu-rails 10 × 3 mm	
Reverse voltage protection	internal electronics	
Connection type input	screwless contact slide	
Control input (Set / Reset)		
Signal level	DC 12/24 V acc. to IEC 61131-2	
OFF	Pulse with falling edge >100 ms, <800 ms	
ON	Pulse with falling edge > 1 s	

25.08.2017 – Subject to technical modification

Part-No. 716414

USA: LUTZE INC.

13330 South Ridge Drive · Charlotte, NC 28273, USA
Tel. +1 (704) 504-0222 · Fax +1 (704) 504-0223
www.lutze.com · info@lutze.com

United Kingdom: LÜTZE Ltd.

Unit 3, Sandy Hill Park
Sandy Way, Amington · GB-Tamworth, Staffs B77 4DU
Tel. +44 (0)1827 31333-0 · Fax +44 (0)1827 31333-2
www.lutze.com · sales.gb@lutze.co.uk



SYSTEMATIC TECHNOLOGY

Technical data sheet - Load monitoring

Output

Switching element	MosFet
Output current	max. DC 10 A
Power output	limited to <100 W
Voltage drop	<170 mV (10 A)
Status display output	LED green: operating voltage present, no error LED red: error in load circuit
Switch-on capacity	4700 µF
Current range	0.5 A – 4 A (can be set via switch in 0.5 A steps)
Characteristic	fast (1), medium (2), slow 1 (3) see 'Characteristic curves'
Current limitation	<5 A

Signal output

Signal level	DC 12/24 V: operating voltage on standby, no error, DC 0 V: error, output switched off and manual "OFF"
Switching element	Transistor, collector with pull-up resistance

General

Operation temperature range	-25 °C ... +50 °C
Storage temperature range	-40 °C ... +85 °C
Dimensions (w × h × d)	8.1 × 114.5 × 116.0 mm
Housing material	PA 6.6 (UL 94 V-0, NFF I2, F2)
Colour of the housing	basalt grey
Mounting	DIN rail mountable TS35 (EN 60715)
MTBF	690000 h
Protection class	IP20
Installation position	any
Connection device	Spring terminal 0.25 mm ² – 2.5 mm ²
Weight	0.120 kg/piece
Approvals	cULus (E135145) GL in preparation NEC Class 2 (E170585)
Standards	EN 60950-1 EN 61131-1, 2 EN 61000 EN 60947-4-1 EN 55022
PU	1 piece

25.08.2017 – Subject to technical modification

Part-No. 716414

USA: LUTZE INC.

13330 South Ridge Drive • Charlotte, NC 28273, USA
Tel. +1 (704) 504-0222 • Fax +1 (704) 504-0223
www.lutze.com • info@lutze.com

United Kingdom: LÜTZE Ltd.

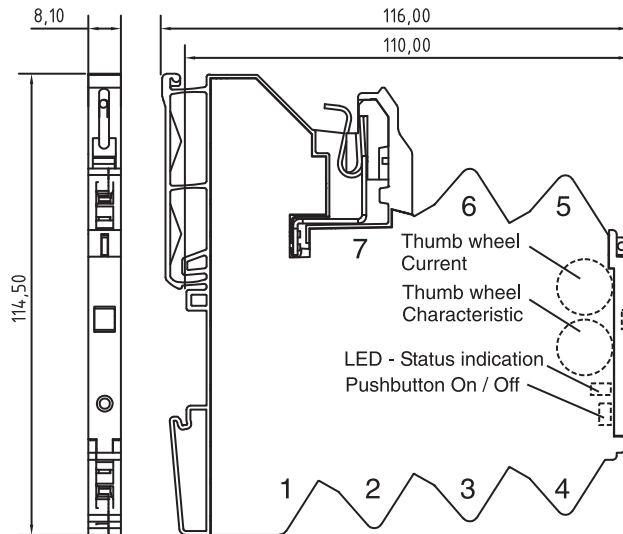
Unit 3, Sandy Hill Park
Sandy Way, Amington • GB-Tamworth, Staffs B77 4DU
Tel. +44 (0)1827 31333-0 • Fax +44 (0)1827 31333-2
www.lutze.com • sales.gb@lutze.co.uk



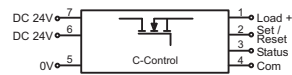
SYSTEMATIC TECHNOLOGY

Technical data sheet · Load monitoring

Dimensions

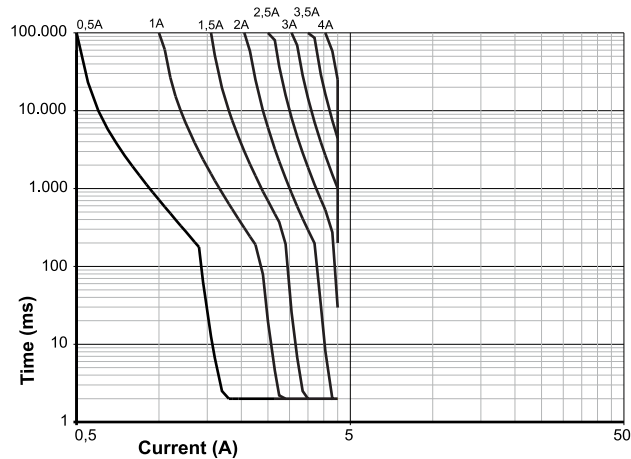


PIN assignment



- 1: + Output
- 2: Control input (Set/Reset)
- 3: Status output
- 4: 1 Wire bus (Communication)
- 5: 0V
- 6: + Supply (alternative)
- 7: + Supply

1: Characteristic fast



25.08.2017 – Subject to technical modification

Part-No. 716414

USA: LUTZE INC.

13330 South Ridge Drive · Charlotte, NC 28273, USA
 Tel. +1 (704) 504-0222 · Fax +1 (704) 504-0223
 www.lutze.com · info@lutze.com

United Kingdom: LÜTZE Ltd.

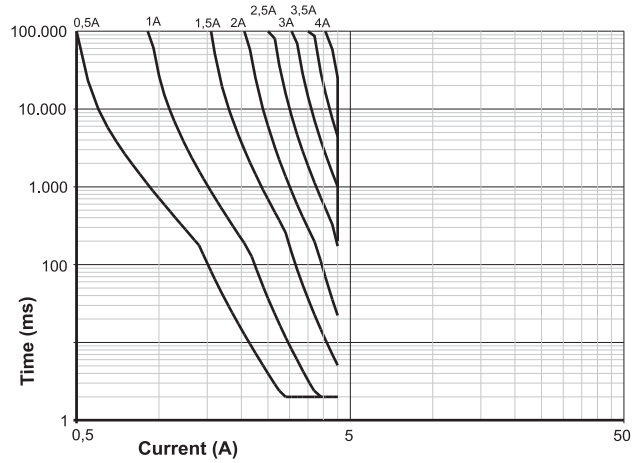
Unit 3, Sandy Hill Park
 Sandy Way, Amington · GB-Tamworth, Staffs B77 4DU
 Tel. +44 (0)1827 31333-0 · Fax +44 (0)1827 31333-2
 www.lutze.com · sales.gb@lutze.co.uk



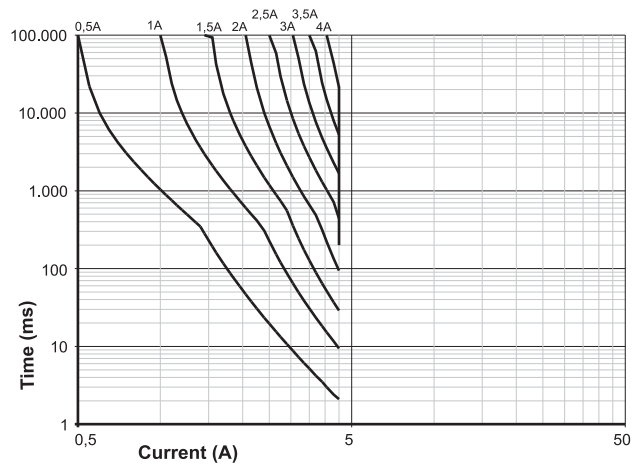
SYSTEMATIC TECHNOLOGY

Technical data sheet · Load monitoring

2: Characteristic medium



3: Characteristic slow-1



25.08.2017 – Subject to technical modification

Part-No. 716414

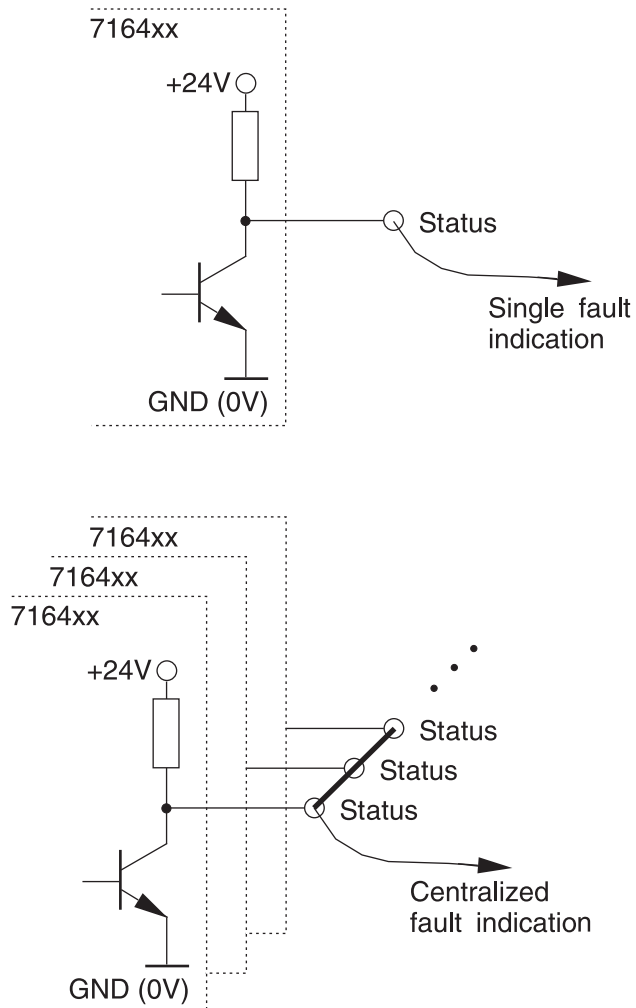
USA: LUTZE INC.

13330 South Ridge Drive · Charlotte, NC 28273, USA
Tel. +1 (704) 504-0222 · Fax +1 (704) 504-0223
www.lutze.com · info@lutze.com

United Kingdom: LÜTZE Ltd.

Unit 3, Sandy Hill Park
Sandy Way, Amington · GB-Tamworth, Staffs B77 4DU
Tel. +44 (0)1827 31333-0 · Fax +44 (0)1827 31333-2
www.lutze.com · sales.gb@lutze.co.uk

Signal output



Accessories

25.08.2017 – Subject to technical modification

Part-No. 716414

USA: LUTZE INC.

13330 South Ridge Drive • Charlotte, NC 28273, USA
Tel. +1 (704) 504-0222 • Fax +1 (704) 504-0223
www.lutze.com • info@lutze.com

United Kingdom: LÜTZE Ltd.

Unit 3, Sandy Hill Park
Sandy Way, Amington • GB-Tamworth, Staffs B77 4DU
Tel. +44 (0)1827 31333-0 • Fax +44 (0)1827 31333-2
www.lutze.com • sales.gb@lutze.co.uk

Technical data sheet - Load monitoring

Accessories	Color	Part-No.	Type	PU
0 V collective terminal	white	716420	LOCC-Box-SK 7-6420	2
Intermediate feed-in terminal		716421	LOCC-Box-EKL 7-6421	2
Distance terminal without contact		716422	LOCC-Box-DKL 7-6422	2
Empty housing without terminals		716424	LOCC-Box-DY 7-6424	2
Supply set 10 mm ²		716425	LOCC-Box-ES 7-6425	1
Supply set 16 mm ²		716447	LOCC-Box-ES16 7-6447	1
Jumper comb 8-pin	white	716428	LOCC-Box-BKW 7-6428	5
Jumper comb 8-pin	red	716429	LOCC-Box-BKR 7-6429	5
Jumper comb 8-pin	blue	716430	LOCC-Box-BKB 7-6430	5
Jumper comb 16-pin	white	716438	LOCC-Box-BKW 7-6438	5
Jumper comb 16-pin	red	716439	LOCC-Box-BKR 7-6439	5
Jumper comb 16-pin	blue	716440	LOCC-Box-BKB 7-6440	5
Labelling sign 5x5 mm	white	716431	LOCC-Box-BZW 7-6431	1
Labelling sign 5x5 mm	red	716432	LOCC-Box-BZR 7-6432	1
Labelling sign 5x5 mm	blue	716433	LOCC-Box-BZB 7-6433	1
Labelling sign 5x5 mm	yellow	716434	LOCC-Box-BZG 7-6434	1
Labelling sign 6x12 mm	white	716441	LOCC-Box-BZW 7-6441	1
Tag holder	white	716443	LOCC-Box-BZT 7-6443	20
Cover for tag holder	transparent	716444	LOCC-Box-BAD 7-6444	20
Material name	white	716445	LOCC-Box-LEB 7-6445	10
Material name	white	716446	LOCC-Box-BZW 7-6446	1
CU rail 10 × 3 mm		716426	LOCC-Box-CU 7-6426	1
CU rail cover		716427	LOCC-Box-AD 7-6427	1

25.08.2017 – Subject to technical modification

Part-No. 716414

USA: LUTZE INC.

13330 South Ridge Drive • Charlotte, NC 28273, USA
Tel. +1 (704) 504-0222 • Fax +1 (704) 504-0223
www.lutze.com • info@lutze.com

United Kingdom: LÜTZE Ltd.

Unit 3, Sandy Hill Park
Sandy Way, Amington • GB-Tamworth, Staffs B77 4DU
Tel. +44 (0)1827 31333-0 • Fax +44 (0)1827 31333-2
www.lutze.com • sales.gb@lutze.co.uk



SYSTEMATIC TECHNOLOGY