



<b>Identification</b>	Type	LOCC-Box-ED 7-6415
	Part-No.	716415.0300
<b>Description</b>	Electronic load monitoring up to DC 6 A Two-channel version; adjustable current range: DC 1 A - 6 A Fixed characteristic	
<b>Input</b>	Type of function 2-channel 1 pin switching Rated voltage $U_N$ DC 12/24 V Operation voltage range DC 10–30 V Input voltage range 10 – 30 V Supply current DC 40 A over Cu-rails 10 × 3 mm Reverse voltage protection internal electronics Connection type input Spring terminal 0.25 mm <sup>2</sup> – 2.5 mm <sup>2</sup>	
<b>Output</b>	Amperage range DC 2 × 6 A Total current Switching element MosFet Output current max. DC 6 A/channel Voltage drop <102 mV (6 A, per channel)	

25.08.2017 – Subject to technical modification

Part-No. 716415.0300

USA: LUTZE INC.

13330 South Ridge Drive · Charlotte, NC 28273, USA  
Tel. +1 (704) 504-0222 · Fax +1 (704) 504-0223  
www.lutze.com · info@lutze.com

United Kingdom: LÜTZE Ltd.

Unit 3, Sandy Hill Park  
Sandy Way, Amington · GB-Tamworth, Staffs B77 4DU  
Tel. +44 (0)1827 31333-0 · Fax +44 (0)1827 31333-2  
www.lutze.com · sales.gb@lutze.co.uk

## Technical data sheet - Load monitoring

---

Status display output	LED green: no error, LED green flashing: 90 % utilisation LED red flashing: triggered, LED red: unit off
Switch-on capacity	10000 µF
Current range	1 A – 6 A (adjustable via switch in 1 A steps)
Characteristic	slow 1 (3), fixed setting

---

### Signal output

Signal level	High level: no error Low level: unit has triggered or is switched off
Switching element	Transistor, collector with pull-up resistance

---

### General

Operation temperature range	-25 °C ... +50 °C
Storage temperature range	-40 °C ... +85 °C
Dimensions (w × h × d)	8.1 × 114.5 × 116.0 mm
Housing material	PA 6.6 (UL 94 V-0, NFF I2, F2)
Colour of the housing	RAL 7012 basalt grey
Mounting	DIN rail mountable TS35 (EN 60715)
MTBF	690000 h @ 40 °C, 100 operations button, 30 revolutions coding switch
Protection class	IP20
Installation position	any
Connection device	Spring terminal 0.25 mm <sup>2</sup> – 2.5 mm <sup>2</sup>
Weight	0.120 kg/piece
Approvals	cULus (E135145) GL
Standards	EN 60950-1 EN 61131-1, 2 EN 61000 EN 60947-4-1 EN 55022
PU	1 piece

25.08.2017 – Subject to technical modification

Part-No. 716415.0300

USA: LUTZE INC.

13330 South Ridge Drive • Charlotte, NC 28273, USA  
Tel. +1 (704) 504-0222 • Fax +1 (704) 504-0223  
www.lutze.com • info@lutze.com

United Kingdom: LÜTZE Ltd.

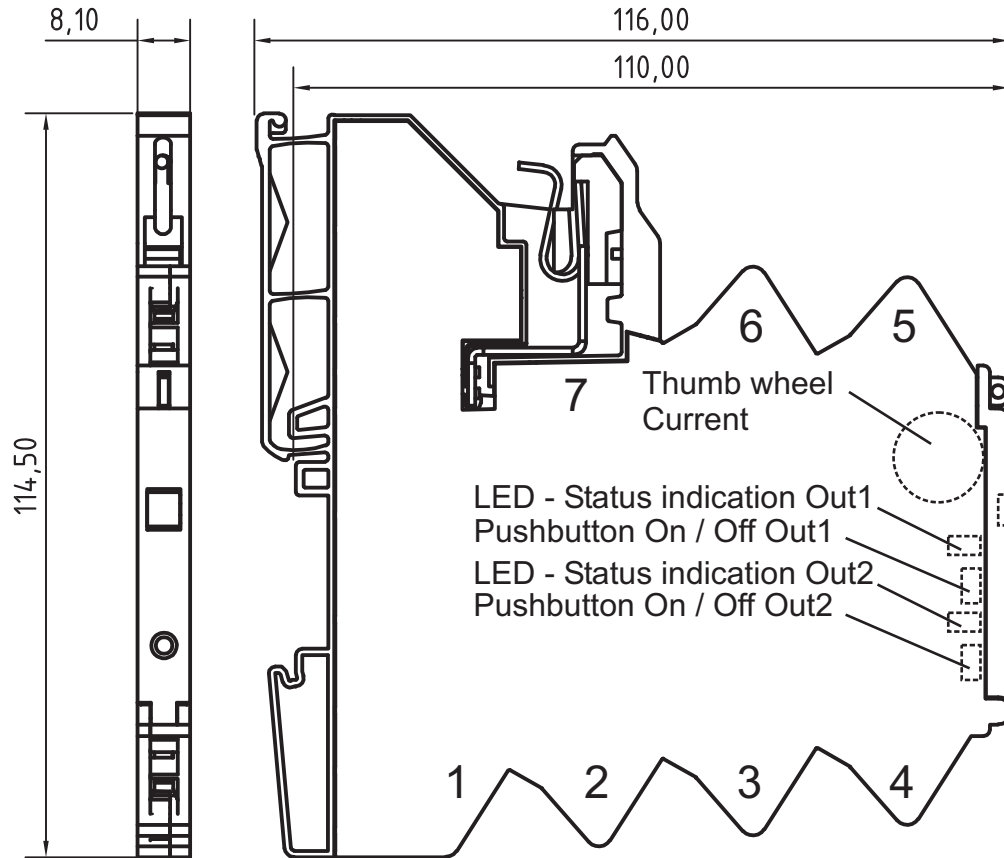
Unit 3, Sandy Hill Park  
Sandy Way, Amington • GB-Tamworth, Staffs B77 4DU  
Tel. +44 (0)1827 31333-0 • Fax +44 (0)1827 31333-2  
www.lutze.com • sales.gb@lutze.co.uk



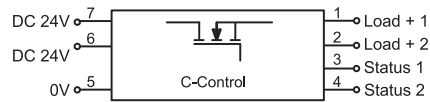
SYSTEMATIC TECHNOLOGY

# Technical data sheet · Load monitoring

## Dimensions



## PIN assignment



25.08.2017 – Subject to technical modification

Part-No. 716415.0300

USA: LUTZE INC.

13330 South Ridge Drive · Charlotte, NC 28273, USA  
Tel. +1 (704) 504-0222 · Fax +1 (704) 504-0223  
www.lutze.com · info@lutze.com

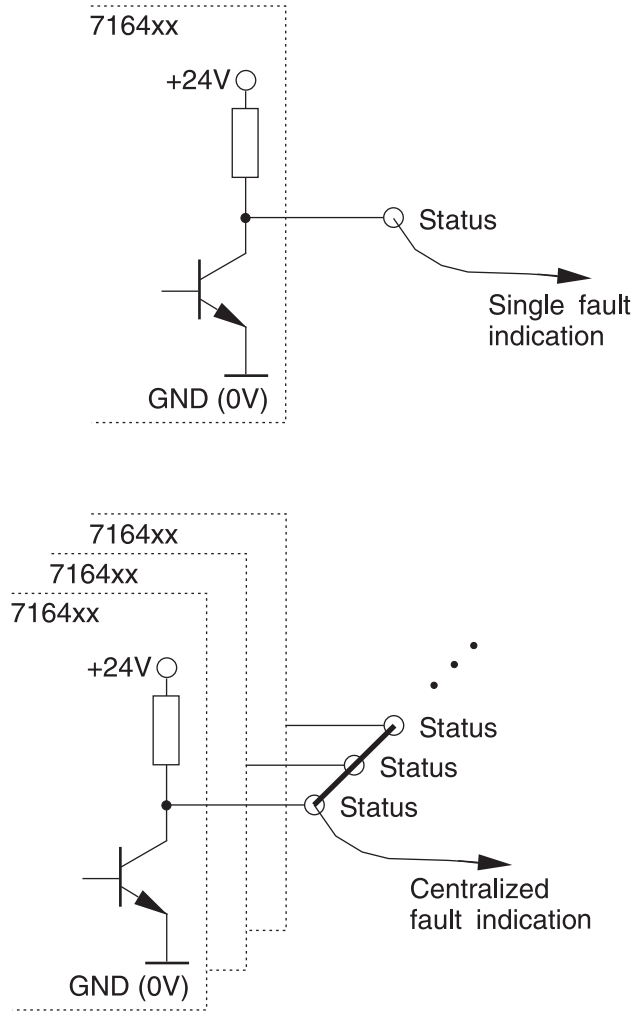
United Kingdom: LÜTZE Ltd.

Unit 3, Sandy Hill Park  
Sandy Way, Amington · GB-Tamworth, Staffs B77 4DU  
Tel. +44 (0)1827 31333-0 · Fax +44 (0)1827 31333-2  
www.lutze.com · sales.gb@lutze.co.uk



SYSTEMATIC TECHNOLOGY

Signal output



25.08.2017 – Subject to technical modification

Part-No. 716415.0300

USA: LUTZE INC.

13330 South Ridge Drive • Charlotte, NC 28273, USA  
Tel. +1 (704) 504-0222 • Fax +1 (704) 504-0223  
www.lutze.com • info@lutze.com

United Kingdom: LÜTZE Ltd.

Unit 3, Sandy Hill Park  
Sandy Way, Amington • GB-Tamworth, Staffs B77 4DU  
Tel. +44 (0)1827 31333-0 • Fax +44 (0)1827 31333-2  
www.lutze.com • sales.gb@lutze.co.uk