



| | | |
|------------------------------------|--|----------------------|
| Identification | Type | LOCC-Box-NetK 7-6416 |
| | Part-No. | 716416.002.1 |
| Description | | |
| | Electronic load monitoring up to DC 10 A, with communication Single-channel design, programmable, Adjustable current range: DC 1 A – 10 A Adjustable characteristics, fast, medium, slow 1, -2, -3 | |
| Input | | |
| Type of function | 1-channel 1 pin switching | |
| Rated voltage U_N | DC 12/24 V | |
| Operation voltage range | DC 10–30 V | |
| Input voltage range | 10 – 30 V | |
| Rated current I_N | DC 10 A | |
| Reverse voltage protection | internal electronics | |
| Connection type input | Spring terminal 0.25 mm ² – 2.5 mm ² | |
| Control input (Set / Reset) | | |
| Signal level | DC 12/24 V acc. to IEC 61131-2 | |
| OFF | Pulse with falling edge >100 ms, <800 ms | |
| ON | Pulse with falling edge > 1 s | |
| Connection type control side | Spring terminal 0.25–2.5 mm ² | |

25.08.2017 – Subject to technical modification

Part-No. 716416.002.1

USA: LUTZE INC.

13330 South Ridge Drive · Charlotte, NC 28273, USA

Tel. +1 (704) 504-0222 · Fax +1 (704) 504-0223

www.lutze.com · info@lutze.com

United Kingdom: LÜTZE Ltd.

Unit 3, Sandy Hill Park

Sandy Way, Amington · GB-Tamworth, Staffs B77 4DU

Tel. +44 (0)1827 31333-0 · Fax +44 (0)1827 31333-2

www.lutze.com · sales.gb@lutze.co.uk



SYSTEMATIC TECHNOLOGY

Technical data sheet · Load monitoring

Output

| | |
|-----------------------|--|
| Switching element | MosFet |
| Output current | max. DC 10 A |
| Voltage drop | <170 mV (10 A) |
| Status display output | LED green: operating voltage present, no error LED red: error in load circuit |
| Switch-on capacity | 10000 µF |
| Current range | 1 A – 10 A (adjustable via switch in 1 A steps) |
| Characteristic | fast (1), medium (2), slow 1 (3), slow 2 (4), slow 3 (5), can be configured (19) see 'Characteristic curves' |

Signal output

| | |
|-------------------|---|
| Signal level | DC 12/24 V: Operating voltage on standby, no error, DC 0 V: error, output switched off, and manual "OFF" (parameterized) |
| Switching element | Transistor, collector with pull-up resistance |

General

| | |
|------------------------------|---|
| Operation temperature range | -25 °C ... +50 °C |
| Storage temperature range | -40 °C ... +85 °C |
| Dimensions (w × h × d) | 8.1 × 114.5 × 116.0 mm |
| Housing material | PA 6.6 (UL 94 V-0, NFF I2, F2) |
| Colour of the housing | basalt grey |
| Mounting | DIN rail mountable TS35 (EN 60715) |
| MTBF | 690000 h |
| Protection class | IP20 |
| Installation position | any |
| Connection type control side | Spring terminal 0.25–2.5 mm ² |
| Connection device | Spring terminal 0.25 mm ² – 2.5 mm ² |
| Weight | 0.120 kg/piece |
| Approvals | cULus (E135145) GL |
| Standards | EN 60950-1 EN 61131-1, 2 EN 61000 EN 60947-4-1 EN 55022 |
| PU | 1 piece |

25.08.2017 – Subject to technical modification

Part-No. 716416.002.1

USA: LUTZE INC.

13330 South Ridge Drive · Charlotte, NC 28273, USA
Tel. +1 (704) 504-0222 · Fax +1 (704) 504-0223
www.lutze.com · info@lutze.com

United Kingdom: LÜTZE Ltd.

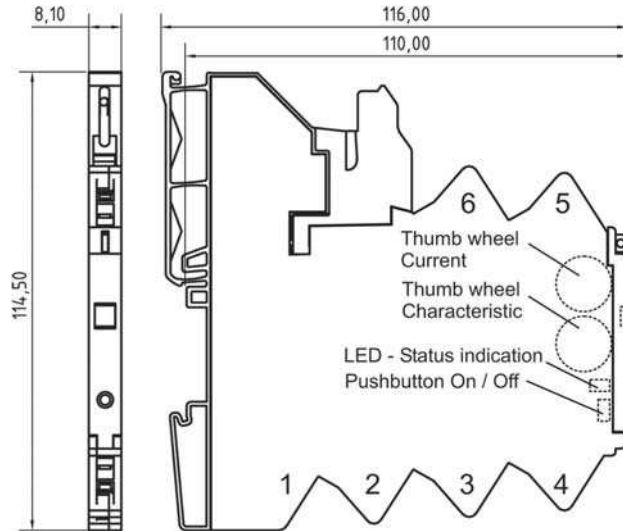
Unit 3, Sandy Hill Park
Sandy Way, Amington · GB-Tamworth, Staffs B77 4DU
Tel. +44 (0)1827 31333-0 · Fax +44 (0)1827 31333-2
www.lutze.com · sales.gb@lutze.co.uk



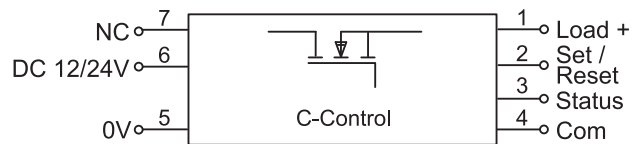
SYSTEMATIC TECHNOLOGY

Technical data sheet - Load monitoring

Dimensions

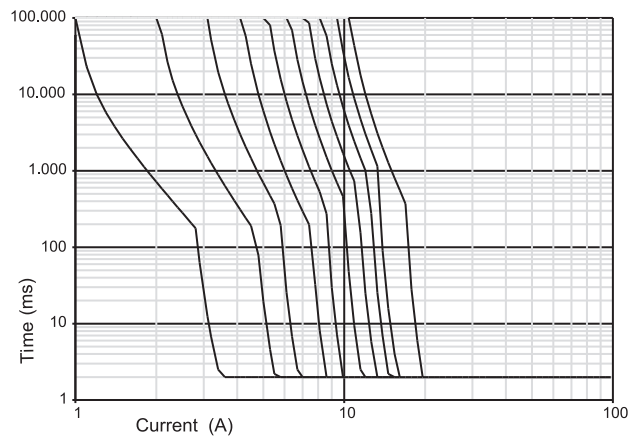


PIN assignment



- 1: + Output
- 2: Control input (Set/Reset)
- 3: Status output
- 4: 1 Wire bus (Communication)
- 5: 0V
- 6: + Supply
- 7: not used

1: Characteristic fast



25.08.2017 – Subject to technical modification

Part-No. 716416.002.1

USA: LUTZE INC.

13330 South Ridge Drive • Charlotte, NC 28273, USA

Tel. +1 (704) 504-0222 • Fax +1 (704) 504-0223

www.lutze.com • info@lutze.com

United Kingdom: LÜTZE Ltd.

Unit 3, Sandy Hill Park

Sandy Way, Amington • GB-Tamworth, Staffs B77 4DU

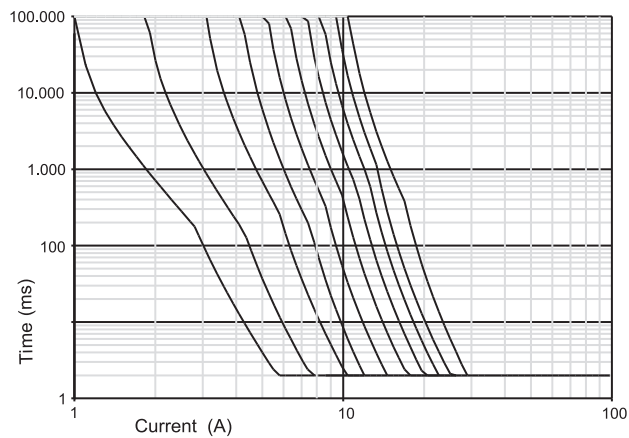
Tel. +44 (0)1827 31333-0 • Fax +44 (0)1827 31333-2

www.lutze.com • sales.gb@lutze.co.uk

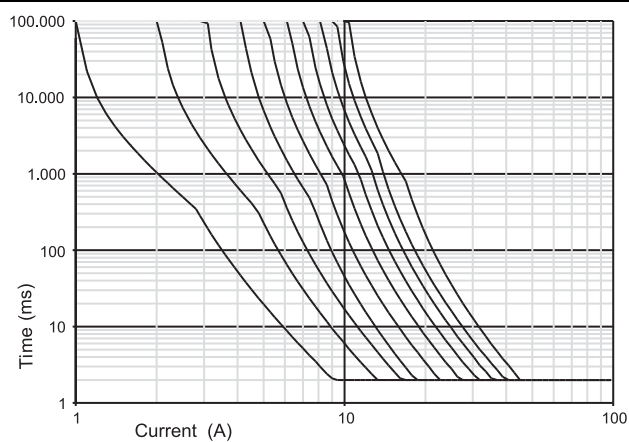


SYSTEMATIC TECHNOLOGY

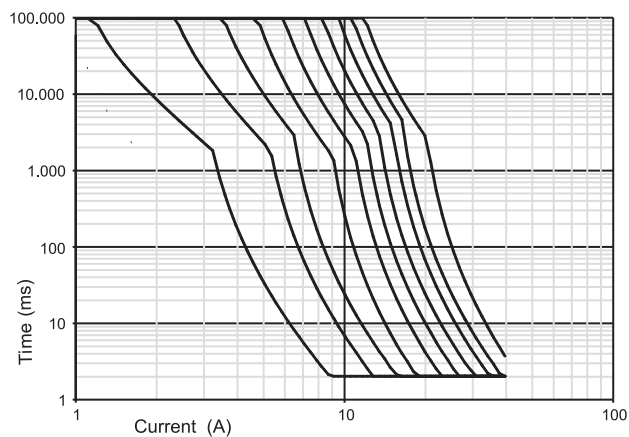
2: Characteristic medium



3: Characteristic slow-1



4: Characteristic slow-2



25.08.2017 – Subject to technical modification

Part-No. 716416.002.1

USA: LUTZE INC.

13330 South Ridge Drive · Charlotte, NC 28273, USA

Tel. +1 (704) 504-0222 · Fax +1 (704) 504-0223

www.lutze.com · info@lutze.com

United Kingdom: LÜTZE Ltd.

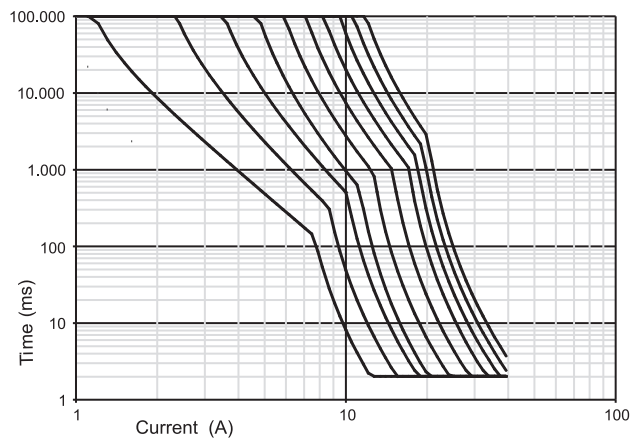
Unit 3, Sandy Hill Park

Sandy Way, Amington · GB-Tamworth, Staffs B77 4DU

Tel. +44 (0)1827 31333-0 · Fax +44 (0)1827 31333-2

www.lutze.com · sales.gb@lutze.co.uk

5: Characteristic slow-3



25.08.2017 – Subject to technical modification

Part-No. 716416.002.1

USA: LUTZE INC.

13330 South Ridge Drive · Charlotte, NC 28273, USA

Tel. +1 (704) 504-0222 · Fax +1 (704) 504-0223

www.lutze.com · info@lutze.com

United Kingdom: LÜTZE Ltd.

Unit 3, Sandy Hill Park

Sandy Way, Amington · GB-Tamworth, Staffs B77 4DU

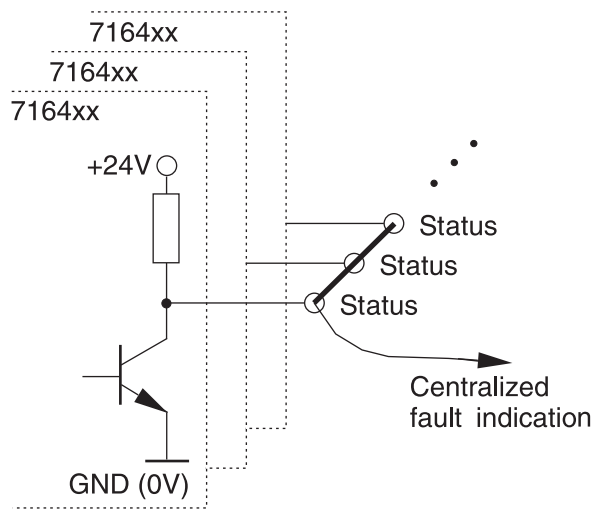
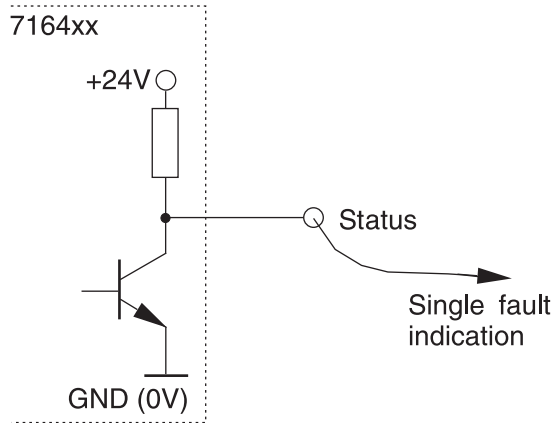
Tel. +44 (0)1827 31333-0 · Fax +44 (0)1827 31333-2

www.lutze.com · sales.gb@lutze.co.uk



SYSTEMATIC TECHNOLOGY

Signal output



25.08.2017 – Subject to technical modification

Part-No. 716416.002.1

USA: LUTZE INC.

13330 South Ridge Drive • Charlotte, NC 28273, USA

Tel. +1 (704) 504-0222 • Fax +1 (704) 504-0223

www.lutze.com • info@lutze.com

United Kingdom: LÜTZE Ltd.

Unit 3, Sandy Hill Park

Sandy Way, Amington • GB-Tamworth, Staffs B77 4DU

Tel. +44 (0)1827 31333-0 • Fax +44 (0)1827 31333-2

www.lutze.com • sales.gb@lutze.co.uk