



Identification	Type Part-No.	LOCC-Box-EDK 7-6416 716416.003.1
Description	Electronic load monitoring up to DC 6 A Two-channel version; adjustable current range: DC 1 A - 6 A Fixed characteristic	
Input	2-channel 1 pin switching DC 12/24 V DC 10–30 V 10 – 30 V internal electronics Spring terminal 0.25 mm ² – 2.5 mm ²	
Control input (Set / Reset)	DC 12/24 V acc. to EN 61131 OFF Pulse with falling edge >100 ms, <800 ms ON Pulse with falling edge > 1 s Spring terminal 0.25–2.5 mm ²	

25.08.2017 – Subject to technical modification

Part-No. 716416.003.1

USA: LUTZE INC.

13330 South Ridge Drive · Charlotte, NC 28273, USA
Tel. +1 (704) 504-0222 · Fax +1 (704) 504-0223
www.lutze.com · info@lutze.com

United Kingdom: LÜTZE Ltd.

Unit 3, Sandy Hill Park
Sandy Way, Amington · GB-Tamworth, Staffs B77 4DU
Tel. +44 (0)1827 31333-0 · Fax +44 (0)1827 31333-2
www.lutze.com · sales.gb@lutze.co.uk



Technical data sheet - Load monitoring

Output

Amperage range	DC 2 × 6 A Total current
Switching element	MosFet
Output current	max. DC 6 A/channel
Voltage drop	<102 mV (6 A, per channel)
Status display output	LED green: no error, LED green flashing: 90 % utilisation LED red flashing: triggered, LED red: unit off
Switch-on capacity	10000 µF
Current range	1 A – 6 A (adjustable via switch in 1 A steps)
Characteristic	slow 1 (3), fixed setting

Signal output

Signal level	High level: no error Low level: unit has triggered or is switched off
Switching element	Transistor, collector with pull-up resistance

General

Operation temperature range	-25 °C ... +50 °C
Storage temperature range	-40 °C ... +85 °C
Dimensions (w × h × d)	8.1 × 114.5 × 116.0 mm
Housing material	PA 6.6 (UL 94 V-0, NFF I2, F2)
Colour of the housing	RAL 7012 basalt grey
Mounting	DIN rail mountable TS35 (EN 60715)
MTBF	690000 h @ 40 °C, 100 operations button, 30 revolutions coding switch
Protection class	IP20
Installation position	any
Connection type control side	Spring terminal 0.25–2.5 mm ²
Connection device	Spring terminal 0.25 mm ² – 2.5 mm ²
Weight	0.120 kg/piece
Approvals	cULus (E135145) GL
Standards	EN 60950-1 EN 61131-1, 2 EN 61000 EN 60947-4-1 EN 55022
PU	1 piece

25.08.2017 – Subject to technical modification

Part-No. 716416.003.1

USA: LUTZE INC.

13330 South Ridge Drive • Charlotte, NC 28273, USA
Tel. +1 (704) 504-0222 • Fax +1 (704) 504-0223
www.lutze.com • info@lutze.com

United Kingdom: LÜTZE Ltd.

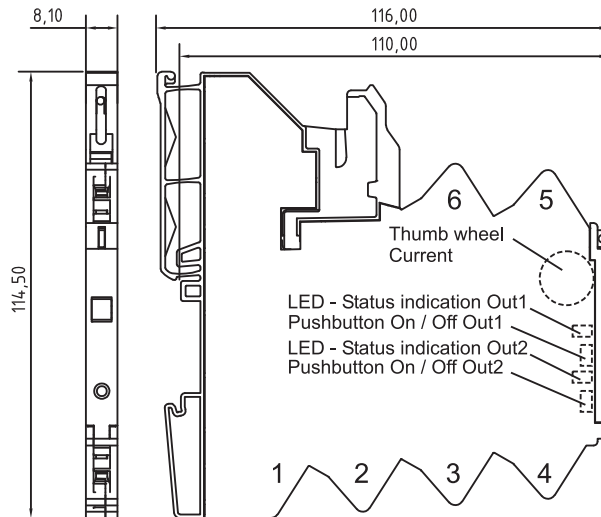
Unit 3, Sandy Hill Park
Sandy Way, Amington • GB-Tamworth, Staffs B77 4DU
Tel. +44 (0)1827 31333-0 • Fax +44 (0)1827 31333-2
www.lutze.com • sales.gb@lutze.co.uk



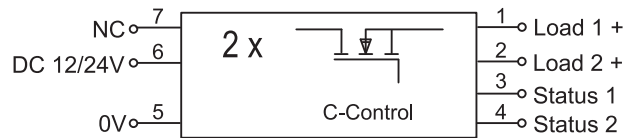
SYSTEMATIC TECHNOLOGY

Technical data sheet - Load monitoring

Dimensions



PIN assignment



- 1: + Output 1
- 2: + Output 2
- 3: Status output 1
- 4: Status output 2
- 5: 0V
- 6: + Supply
- 7: not used

25.08.2017 – Subject to technical modification

Part-No. 716416.003.1

USA: LUTZE INC.

13330 South Ridge Drive • Charlotte, NC 28273, USA
 Tel. +1 (704) 504-0222 • Fax +1 (704) 504-0223
 www.lutze.com • info@lutze.com

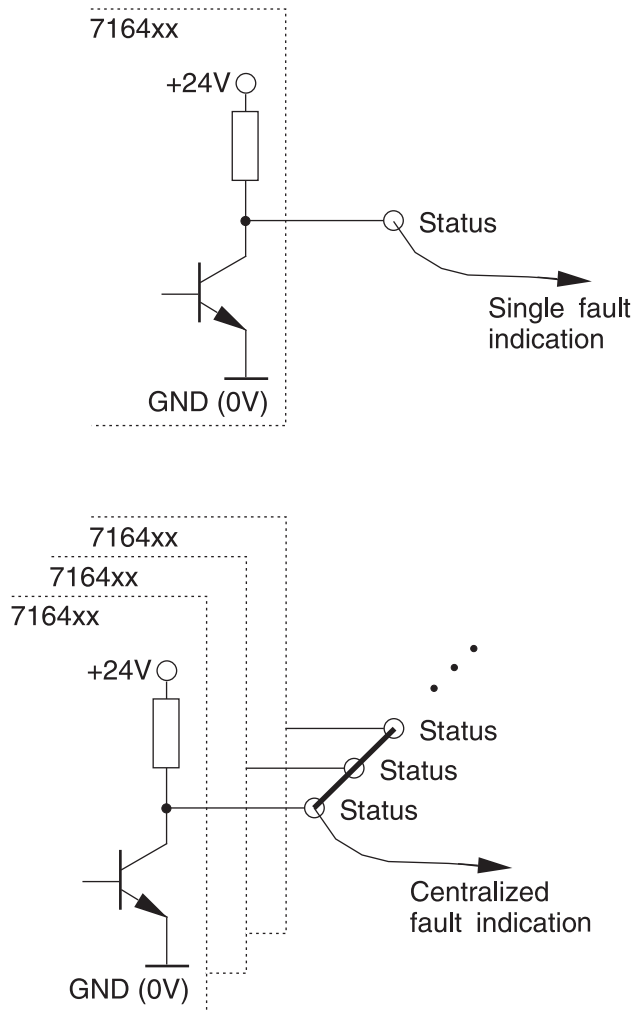
United Kingdom: LÜTZE Ltd.

Unit 3, Sandy Hill Park
 Sandy Way, Amington • GB-Tamworth, Staffs B77 4DU
 Tel. +44 (0)1827 31333-0 • Fax +44 (0)1827 31333-2
 www.lutze.com • sales.gb@lutze.co.uk



SYSTEMATIC TECHNOLOGY

Signal output



25.08.2017 – Subject to technical modification

Part-No. 716416.003.1

USA: LUTZE INC.

13330 South Ridge Drive • Charlotte, NC 28273, USA

Tel. +1 (704) 504-0222 • Fax +1 (704) 504-0223

www.lutze.com • info@lutze.com

United Kingdom: LÜTZE Ltd.

Unit 3, Sandy Hill Park

Sandy Way, Amington • GB-Tamworth, Staffs B77 4DU

Tel. +44 (0)1827 31333-0 • Fax +44 (0)1827 31333-2

www.lutze.com • sales.gb@lutze.co.uk