

Identification	Type	LOCC-Box-BKB 7-6430
	Part-No.	716430
Description		
	Insulated jumper combs 8-pin	
Technical data		
Rated current	DC 6 A	
Pole number	8	
General		
Connection device	plug-in	
Contact design	Flat contact 0.5 mm	
Pin spacing	8.2 mm	
Contact material	FeZn	
Material	PVC hard	
Color	blue	
Flamability according to UL 94	V0	
Operation temperature range	-40 °C ... +80 °C	
Storage temperature range	-40 °C ... +80 °C	
Weight	0.0030 kg/piece	
PU	5	

25.08.2017 – Subject to technical modification

Part-No. 716430

USA: LUTZE INC.

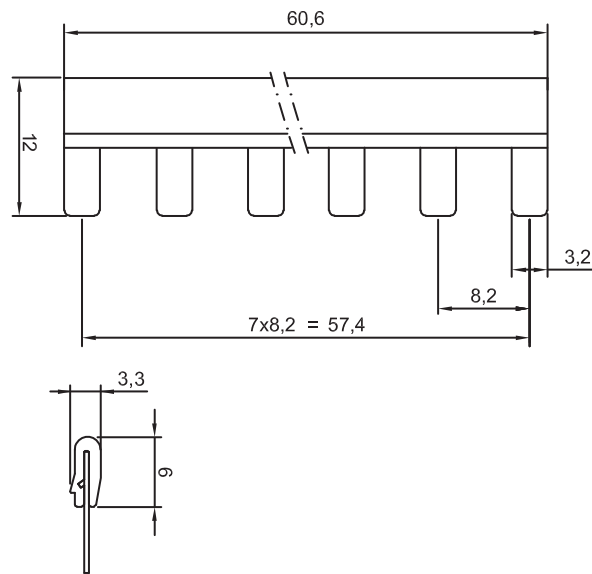
13330 South Ridge Drive · Charlotte, NC 28273, USA
 Tel. +1 (704) 504-0222 · Fax +1 (704) 504-0223
 www.lutze.com · info@lutze.com

United Kingdom: LÜTZE Ltd.

Unit 3, Sandy Hill Park
 Sandy Way, Amington · GB-Tamworth, Staffs B77 4DU
 Tel. +44 (0)1827 31333-0 · Fax +44 (0)1827 31333-2
 www.lutze.com · sales.gb@lutze.co.uk



Dimensions



25.08.2017 – Subject to technical modification

Part-No. 716430

USA: LUTZE INC.

13330 South Ridge Drive • Charlotte, NC 28273, USA
Tel. +1 (704) 504-0222 • Fax +1 (704) 504-0223
www.lutze.com • info@lutze.com

United Kingdom: LÜTZE Ltd.

Unit 3, Sandy Hill Park
Sandy Way, Amington • GB-Tamworth, Staffs B77 4DU
Tel. +44 (0)1827 31333-0 • Fax +44 (0)1827 31333-2
www.lutze.com • sales.gb@lutze.co.uk