

One-phase switching power supply  
regulated, 10 W



<b>Identification</b>	Type	DRA10-12A
	Part-No.	728766
<b>Input</b>		
Nominal voltage	AC 100–240 V	
Operation voltage range	AC 90–265 V / DC 120–370 V	
Line frequency	47 Hz – 63 Hz	
Rated current	$U_i = AC 115 V: 120 mA$ / $U_i = AC 230 V: 70 mA$	
Inrush current	$U_i = AC 115 V: 10 A$ / $U_i = AC 230 V: 18 A$	
Internal fuse	T2 A / AC 250 V	
External fuse	Mini-circuit breaker: B 4 A	
<b>Load Side</b>		
Rated voltage output	DC 12 V	
Rated current output	0.84 A	
Low power loss	3.4 W (AC 230 V)	
Voltage trim range	10.8–13.8 V	
Accuracy	±1 %	
Line regulation	±1 %	
Load regulation	±2 %	
Rise time	1 s	
Temperature coefficient	±0.03 % / °C	
Ripple & Noise	<50 mV	

02.04.2016 – Subject to technical modification

Part-No. 728766

USA: LUTZE INC.

13330 South Ridge Drive • Charlotte, NC 28273, USA  
Tel. +1 (704) 504-0222 • Fax +1 (704) 504-0223  
www.lutze.com • info@lutze.com

United Kingdom: LUTZE Ltd.

Unit 3, Sandy Hill Park  
Sandy Way, Amington • GB-Tamworth, Staffs B77 4DU  
Tel. +44 (0)1827 31333-0 • Fax +44 (0)1827 31333-2  
www.lutze.com • sales.gb@lutze.co.uk



SYSTEMATIC TECHNOLOGY

## Technical data sheet - Power supply

---

Hold up time	$V_{in}= 115\text{ V}: 25\text{ ms} / V_{in}= 230\text{ V}: 100\text{ ms}$
Status indication DC ON LED green	$\geq 10.8\text{ V}$
Status indication DC LOW LED red	$< 9-10.8\text{ V}$
Parallel/redundant operation	max. 2 devices / via external diodes
Efficiency	75 %
Rated over load protection	110–135 %
Over voltage protection	125–145 %
Short circuit characteristics	Hiccup-mode

---

### General

---

Switching frequency	approx. 100 kHz
Insulation voltage input/output	AC 3.0 kV <sub>eff</sub>
Insulation voltage input / ground	AC 1.5 kV <sub>eff</sub>
Insulation resistance at DC 500 V	100 M $\Omega$
Operation temperature range	-20 °C – 70 °C (derating)
Derating	-3% / ° C starting at 61° C
Storage temperature range	-25 °C – 85 °C
M.T.B.F.	803000 h
Relative humidity	20–95% RH, non-condensing
Dimensions (w × h × d)	22.5 × 90.0 × 115.0 mm
Cooling	Natural air cooling, 25 mm distance on all sides
Installation position	vertical
Housing material	Plastic
Protection class	IP 20
Field installation	rail TS 35 (EN 50022)
Application height	2000 m
IP rating	II (SELV, PELV)
Overvoltage category	II
Pollution degree	2
Weight (kg/piece)	0.120
Termination	Screw terminal: 0.2–2.5 mm <sup>2</sup> , max. 0.56 Nm
Approvals	UL: UL 508 listed; cUL: UL 60950-1, UL 1310 Class 2; TÜV: EN 60950-1, CE: EN 50081-1 / EN 55022 Class B, EN 61000-3-2, EN 601000-3-3, EN 50082-1 / EN 55024 Class I, Division 2, Groups A, B, C and D

---

### Monitoring

---

DC ON Control (Rdy)	LED green/red
---------------------	---------------

02.04.2016 – Subject to technical modification

Part-No. 728766

USA: LUTZE INC.

13330 South Ridge Drive • Charlotte, NC 28273, USA  
Tel. +1 (704) 504-0222 • Fax +1 (704) 504-0223  
www.lutze.com • info@lutze.com

United Kingdom: LUTZE Ltd.

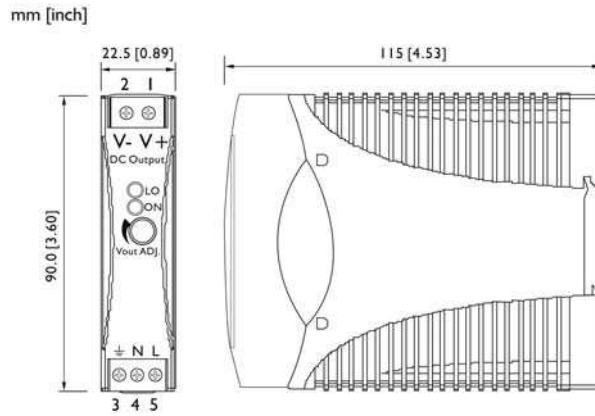
Unit 3, Sandy Hill Park  
Sandy Way, Amington • GB-Tamworth, Staffs B77 4DU  
Tel. +44 (0)1827 31333-0 • Fax +44 (0)1827 31333-2  
www.lutze.com • sales.gb@lutze.co.uk



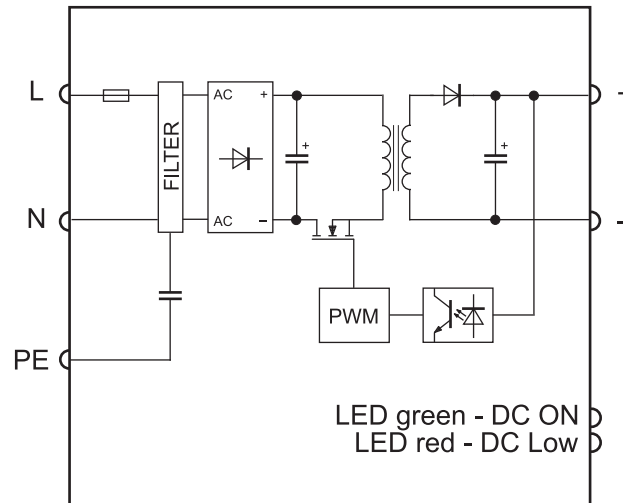
SYSTEMATIC TECHNOLOGY

# Technical data sheet · Power supply

## Dimensions



## PIN assignment



02.04.2016 – Subject to technical modification

Part-No. 728766

USA: LUTZE INC.

13330 South Ridge Drive • Charlotte, NC 28273, USA  
 Tel. +1 (704) 504-0222 • Fax +1 (704) 504-0223  
 www.lutze.com • info@lutze.com

United Kingdom: LUTZE Ltd.

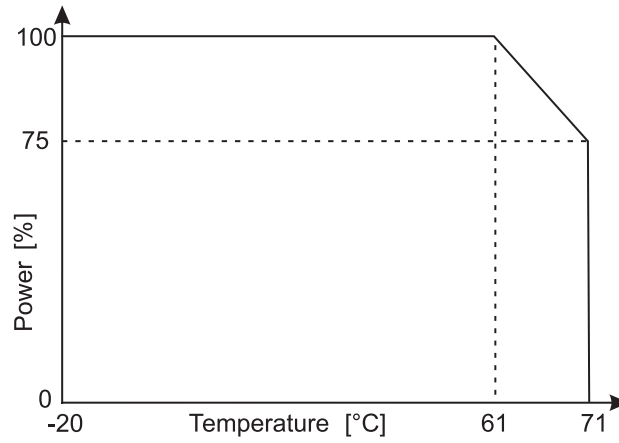
Unit 3, Sandy Hill Park  
 Sandy Way, Amington • GB-Tamworth, Staffs B77 4DU  
 Tel. +44 (0)1827 31333-0 • Fax +44 (0)1827 31333-2  
 www.lutze.com • sales.gb@lutze.co.uk



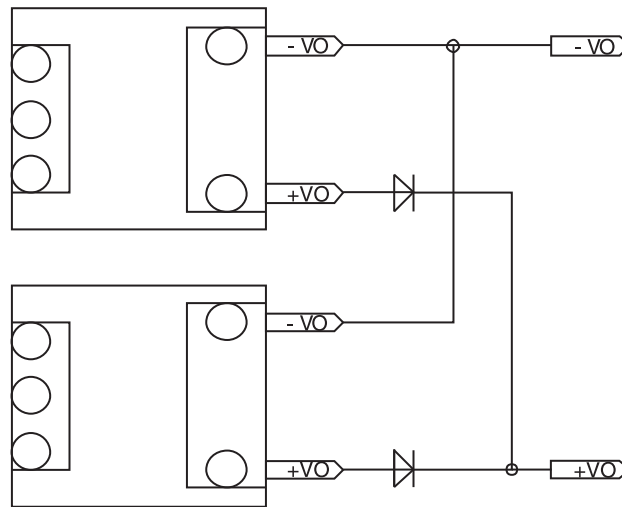
SYSTEMATIC TECHNOLOGY

# Technical data sheet · Power supply

## Derating



## Redundant operation



02.04.2016 – Subject to technical modification

Part-No. 728766

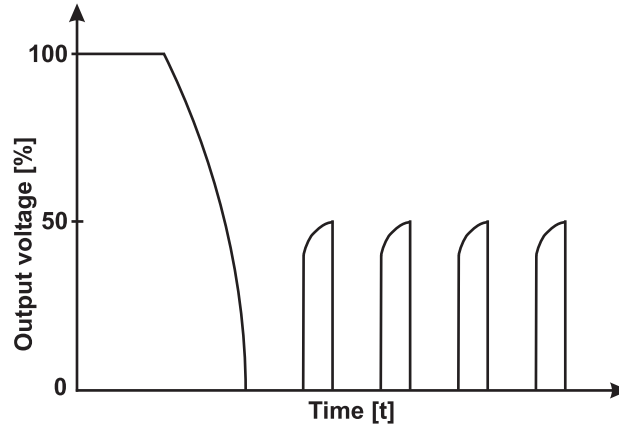
USA: LUTZE INC.

13330 South Ridge Drive · Charlotte, NC 28273, USA  
Tel. +1 (704) 504-0222 · Fax +1 (704) 504-0223  
www.lutze.com · info@lutze.com

United Kingdom: LUTZE Ltd.

Unit 3, Sandy Hill Park  
Sandy Way, Amington · GB-Tamworth, Staffs B77 4DU  
Tel. +44 (0)1827 31333-0 · Fax +44 (0)1827 31333-2  
www.lutze.com · sales.gb@lutze.co.uk

Short circuit characteristics



02.04.2016 – Subject to technical modification

Part-No. 728766

USA: LUTZE INC.

13330 South Ridge Drive · Charlotte, NC 28273, USA  
Tel. +1 (704) 504-0222 · Fax +1 (704) 504-0223  
www.lutze.com · info@lutze.com

United Kingdom: LUTZE Ltd.

Unit 3, Sandy Hill Park  
Sandy Way, Amington · GB-Tamworth, Staffs B77 4DU  
Tel. +44 (0)1827 31333-0 · Fax +44 (0)1827 31333-2  
www.lutze.com · sales.gb@lutze.co.uk