



Identification	Type	LCR-I-3-05-2U-24-240
	Part-No.	750640
Description	Current control in 3-phase networks 3-phase, AC/DC 5 A	
Function	3-phase current monitoring separately adjustable start-up suppression and trigger delay function selection via rotary switch Over: Over-current monitoring Over + Latch: Over-current monitoring with error memory Under: Under-current monitoring Under + Latch: Under-current monitoring with error memory WIN: Monitoring the range between thresholds Min and Max WIN + Latch: Monitoring the range between Min and Max thresholds with error memory	
Time range	Start-up suppression, settable 0 – 10 s trigger delay, settable 0.1 – 10 s	
Status indication	Supply status LED green	

25.08.2017 – Subject to technical modification

Part-No. 750640

USA: LUTZE INC.

13330 South Ridge Drive • Charlotte, NC 28273, USA
Tel. +1 (704) 504-0222 • Fax +1 (704) 504-0223
www.lutze.com • info@lutze.com

United Kingdom: LÜTZE Ltd.

Unit 3, Sandy Hill Park
Sandy Way, Amington • GB-Tamworth, Staffs B77 4DU
Tel. +44 (0)1827 31333-0 • Fax +44 (0)1827 31333-2
www.lutze.com • sales.gb@lutze.co.uk



SYSTEMATIC TECHNOLOGY

Technical data sheet · Interface Technology

Start bridge status	LED green flashing
Output relay status	LED yellow
Threshold error status	LED red
Trigger delay status	LED red flashing

Housing

Dimensions (w × h × d)	22.5 × 90.0 × 105.0 mm
Colour of the housing	light grey
Housing material	PA 6.6 V0
Protection class	IP20
Connection cross-section	1×0.5 to 2.5 mm ² with AE 1×4 mm ² without AE 2×0.5 to 1.5 mm ² with AE 2×2.5 mm ² without AE
Installation position	any
Weight	0.200 kg/piece
Approvals	cULus

Supply circuit

Rated voltage range	AC/DC 24 V – 240 V
Tolerance	AC: -15 %/+10 %, DC: -20 %/+25 %
Rated frequency	16 Hz @ AC 24 V, 48 Hz – 400 Hz @ AC 24 V – 240 V
Power consumption	2 VA (1.5 W)
Operating time	100 % ED
Recovery time	100 ms
Voltage drop	>30 % of the supply voltage
Over voltage category	III acc. IEC 60664-1
Measurement surge voltage	4 kV

Output circuit

Number of channels	2
Switching element	Relays
Contact type	Change over contact
Measurement voltage	AC 250 V (IEC 60947-1)
Switching voltage	AC 250 V
Switching current max.	3A (5A at a distance >5mm)
Protection device	5 A, quick-acting
Mechanical service life	20 × 10 ⁶ (1000 VA)
Electrical service life	2 × 10 ⁵ (1000 VA)
Switching frequency	60/min @100 VA, 6/min @ 1000 VA
Over voltage category	III acc. IEC 60664-1
Measurement surge voltage	4 kV

25.08.2017 – Subject to technical modification

Part-No. 750640

USA: LUTZE INC.

13330 South Ridge Drive · Charlotte, NC 28273, USA

Tel. +1 (704) 504-0222 · Fax +1 (704) 504-0223

www.lutze.com · info@lutze.com

United Kingdom: LÜTZE Ltd.

Unit 3, Sandy Hill Park

Sandy Way, Amington · GB-Tamworth, Staffs B77 4DU

Tel. +44 (0)1827 31333-0 · Fax +44 (0)1827 31333-2

www.lutze.com · sales.gb@lutze.co.uk



SYSTEMATIC TECHNOLOGY

Technical data sheet · Interface Technology

Accuracy

Basic accuracy	$\leq 3\%$ (end of scale)
Frequency response	-10 %/+5 % (16.6 – 400 Hz)
Tolerance of setting	$\leq 5\%$ (end of scale)
Repeat accuracy	$\leq 2\%$
Temperature error	$\leq 0.05\%/^{\circ}\text{C}$

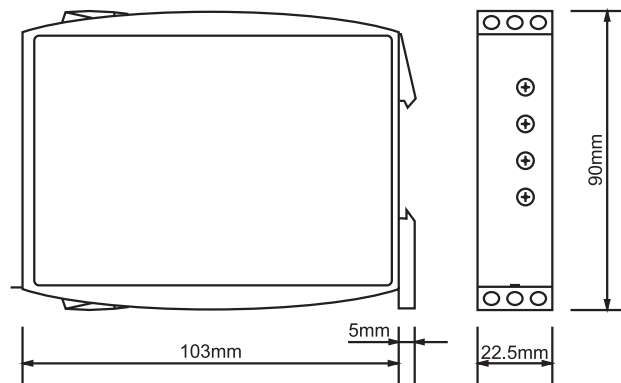
Measuring circuit

Measuring variable	AC Sinus (16.6 to 400 Hz)
Measuring range	each AC 5 A
Overload capability	6 A permanent each
Input resistance	10 m Ω
Switching threshold min.	5 % – 95 % U_N
Switching threshold max.	10 % – 100 % U_N
Over voltage category	III acc. IEC 60664-1
Measurement surge voltage	4 kV

Environmental conditions

Temperature range according to UL	-25 °C ... +40 °C
Temperature range	-25 °C ... +55 °C
Storage temperature range	-25 °C ... +70 °C
Relative air humidity	15 % to 85 % acc. IEC 60721-3-3 Class 3K3
Degree of pollution	3
Vibration resistance	10 – 55 Hz 0.35 mm acc. IEC60068-2-6
Impact resistance	15 g 11 ms acc. IEC 60068-2-27

Dimensions



25.08.2017 – Subject to technical modification

Part-No. 750640

USA: LUTZE INC.

13330 South Ridge Drive · Charlotte, NC 28273, USA

Tel. +1 (704) 504-0222 · Fax +1 (704) 504-0223

www.lutze.com · info@lutze.com

United Kingdom: LÜTZE Ltd.

Unit 3, Sandy Hill Park

Sandy Way, Amington · GB-Tamworth, Staffs B77 4DU

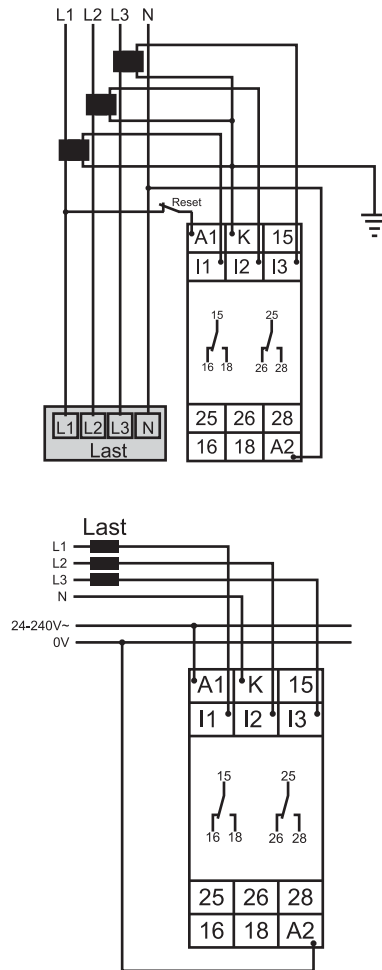
Tel. +44 (0)1827 31333-0 · Fax +44 (0)1827 31333-2

www.lutze.com · sales.gb@lutze.co.uk



SYSTEMATIC TECHNOLOGY

PIN assignment



25.08.2017 – Subject to technical modification

Part-No. 750640

USA: LUTZE INC.

13330 South Ridge Drive • Charlotte, NC 28273, USA

Tel. +1 (704) 504-0222 • Fax +1 (704) 504-0223

www.lutze.com • info@lutze.com

United Kingdom: LÜTZE Ltd.

Unit 3, Sandy Hill Park

Sandy Way, Amington • GB-Tamworth, Staffs B77 4DU

Tel. +44 (0)1827 31333-0 • Fax +44 (0)1827 31333-2

www.lutze.com • sales.gb@lutze.co.uk



SYSTEMATIC TECHNOLOGY