



| | | |
|-----------------------|----------|------------|
| Identification | Type | WAA 7-1537 |
| | Part-No. | 751537 |

Input

| | |
|--------------------------------|-----------------------|
| Input signal | 4–20 mA |
| Galvanic insulation I/O | 3-way isolation |
| Zero /Span | Production comparison |
| Transmission frequency | 30 Hz at 3 dB |
| Input characteristic impedance | 100 Ω |
| Input voltage | 4-20 mA/0-20 mA |

Load Side

| | 750536/751536 | 750537/751537 | 750538/751538 |
|---------------------------------|----------------------|----------------------|----------------------|
| Output signal | 0 – 10 V | 0–20 mA | 4–20 mA |
| Max. load impedance at I-output | | 400 Ω | 400 Ω |
| Max. load impedance at U-output | >1 kΩ | | |
| Load impedance | 55 Ω | – | – |
| Output current | max. 21 mA | | |
| Output signal | 0–20 mA | | |
| Max. load impedance at I-output | 400 Ω | | |
| Ripple | <5 mV _{eff} | | |

03.04.2016 – Subject to technical modification

Part-No. 751537

USA: LUTZE INC.

13330 South Ridge Drive · Charlotte, NC 28273, USA
 Tel. +1 (704) 504-0222 · Fax +1 (704) 504-0223
 www.lutze.com · info@lutze.com

United Kingdom: LUTZE Ltd.

Unit 3, Sandy Hill Park
 Sandy Way, Amington · GB-Tamworth, Staffs B77 4DU
 Tel. +44 (0)1827 31333-0 · Fax +44 (0)1827 31333-2
 www.lutze.com · sales.gb@lutze.co.uk

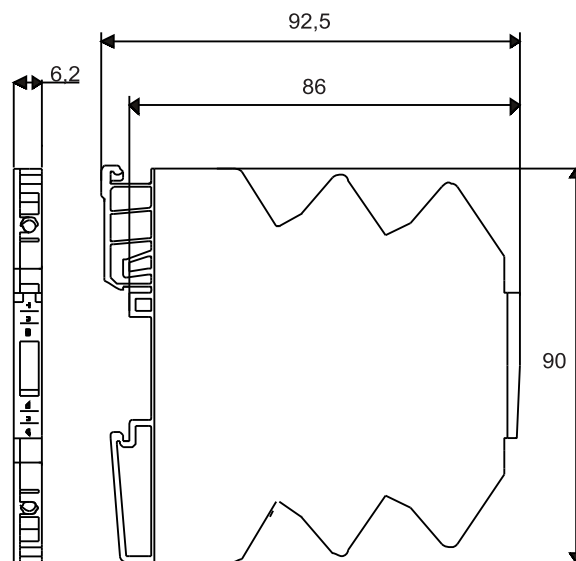


SYSTEMATIC TECHNOLOGY

General

| | |
|---------------------------------|--|
| Nominal voltage | AC/DC 24 V |
| Operation voltage range | DC: 16,8–30 V, AC: 19,2–28,8 V |
| Rated current | 13.0 mA |
| Status Indication | LED yellow |
| Input/output protection | AC/DC 30 V overvoltage, current input with PTC, short circuit-proof output |
| Accuracy | 0.1 % FSR (23 °C) |
| Linearity error | 0.10 % |
| Rise time (10 - 90%) | 10 ms |
| Build-up time (Accuracy 1%) | 30 ms |
| Transmission frequency | < 30 Hz |
| Temperature coefficient | <150 ppm / K FSR |
| Insulation voltage input/output | 1.5 kV _{eff} |
| Housing material | PA 6.6 (UL 94 V-0) |
| Field installation | rail TS 35 (EN 50022) |
| Protection class | IP 20 |
| Installation position | Optional |
| Termination | Spring terminal 0.14–1.5 mm ² |
| Operation temperature range | -25 °C – 60 °C |
| Storage temperature range | -40 °C – 85 °C |
| Dimensions (w × h × d) | 6.2 × 90.0 × 92.5 mm |
| Weight (kg/piece) | 0.040 kg/piece |
| Approvals | cULus, Class I, Div. 2, Groups A, B, C, D T4A |

Dimensions



03.04.2016 – Subject to technical modification

Part-No. 751537

USA: LUTZE INC.

13330 South Ridge Drive • Charlotte, NC 28273, USA

Tel. +1 (704) 504-0222 • Fax +1 (704) 504-0223

www.lutze.com • info@lutze.com

United Kingdom: LUTZE Ltd.

Unit 3, Sandy Hill Park

Sandy Way, Amington • GB-Tamworth, Staffs B77 4DU

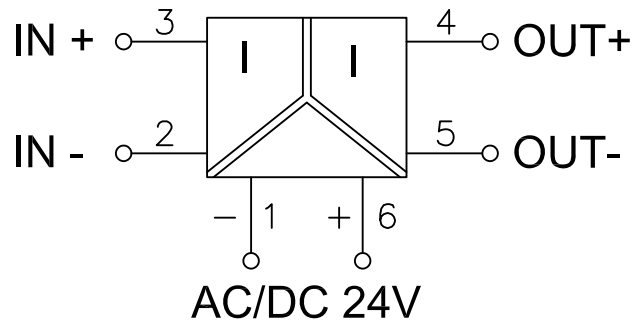
Tel. +44 (0)1827 31333-0 • Fax +44 (0)1827 31333-2

www.lutze.com • sales.gb@lutze.co.uk



SYSTEMATIC TECHNOLOGY

PIN assignment



750x537

Accessories

| Accessories | Color | Article number | Type | PU |
|--------------------|-------|----------------|-----------|-----|
| Tag holder 4×11 mm | white | 681313 | BZT-0411 | 100 |
| Isolation plate | | 760809 | TP 7-0809 | 5 |

Accessories

| Accessories | Color | 2-pole | 3-pole | 4-pole | 8-pole | 16-pole | PU |
|-----------------|-------|--------|--------|--------|--------|---------|----|
| 6 A jumper comb | red | 762802 | 762805 | 762812 | 762822 | 762832 | 10 |
| 6 A jumper comb | white | 762803 | 762806 | 762813 | 762823 | 762833 | 10 |
| 6 A jumper comb | blue | 762804 | 762807 | 762814 | 762824 | 762834 | 10 |

03.04.2016 – Subject to technical modification

Part-No. 751537

USA: LUTZE INC.

13330 South Ridge Drive • Charlotte, NC 28273, USA
 Tel. +1 (704) 504-0222 • Fax +1 (704) 504-0223
 www.lutze.com • info@lutze.com

United Kingdom: LUTZE Ltd.

Unit 3, Sandy Hill Park
 Sandy Way, Amington • GB-Tamworth, Staffs B77 4DU
 Tel. +44 (0)1827 31333-0 • Fax +44 (0)1827 31333-2
 www.lutze.com • sales.gb@lutze.co.uk



SYSTEMATIC TECHNOLOGY