



Identification	Type	RES-0900
	Part-No.	770900

Description	Relay socket for mini and industrial relay AC/DC 300 V Screw terminal
--------------------	---

General	
Protection class	IP20
Operation temperature range	-40 °C ... +85 °C
Dimensions (w × h × d)	16.5 × 75.0 × 66.5 mm (incl. release lever)
PU	5

25.08.2017 – Subject to technical modification

Part-No. 770900

USA: LUTZE INC.

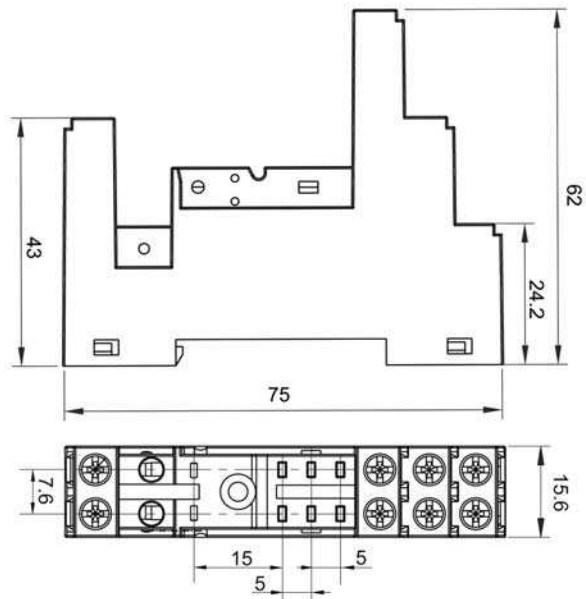
13330 South Ridge Drive • Charlotte, NC 28273, USA
Tel. +1 (704) 504-0222 • Fax +1 (704) 504-0223
www.lutze.com • info@lutze.com

United Kingdom: LÜTZE Ltd.

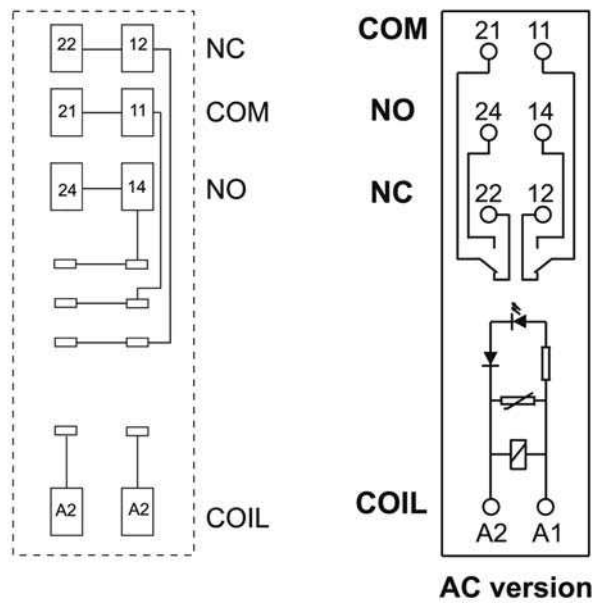
Unit 3, Sandy Hill Park
Sandy Way, Amington • GB-Tamworth, Staffs B77 4DU
Tel. +44 (0)1827 31333-0 • Fax +44 (0)1827 31333-2
www.lutze.com • sales.gb@lutze.co.uk



Dimensions



PIN assignment



25.08.2017 – Subject to technical modification

Part-No. 770900

USA: LUTZE INC.

13330 South Ridge Drive • Charlotte, NC 28273, USA

Tel. +1 (704) 504-0222 • Fax +1 (704) 504-0223

www.lutze.com • info@lutze.com

United Kingdom: LÜTZE Ltd.

Unit 3, Sandy Hill Park

Sandy Way, Amington • GB-Tamworth, Staffs B77 4DU

Tel. +44 (0)1827 31333-0 • Fax +44 (0)1827 31333-2

www.lutze.com • sales.gb@lutze.co.uk



SYSTEMATIC TECHNOLOGY