



---

<b>Identification</b>	Type	RES4W-0905
	Part-No.	770905

---

---

<b>Description</b>	Relay socket for mini and industrial relay AC/DC 300 V Screw terminal
--------------------	---

---

---

<b>General</b>	
Protection class	IP20
Operation temperature range	-40 °C ... +85 °C
Dimensions (w × h × d)	27.2 × 75.0 × 82.0 mm (incl. release lever)
PU	5

---

25.08.2017 – Subject to technical modification

Part-No. 770905

USA: LUTZE INC.

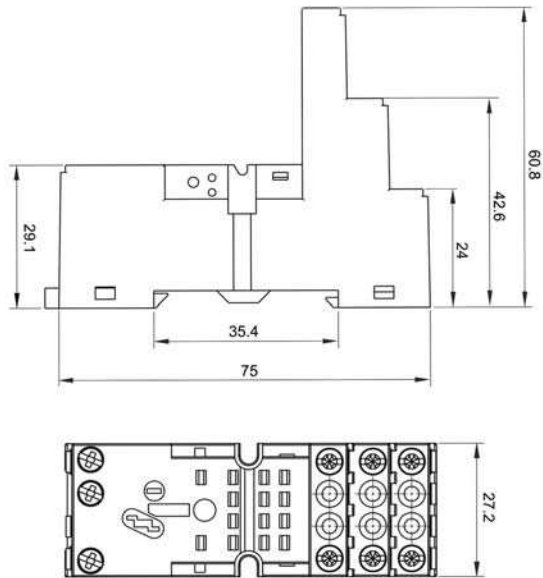
13330 South Ridge Drive • Charlotte, NC 28273, USA  
Tel. +1 (704) 504-0222 • Fax +1 (704) 504-0223  
www.lutze.com • info@lutze.com

United Kingdom: LÜTZE Ltd.

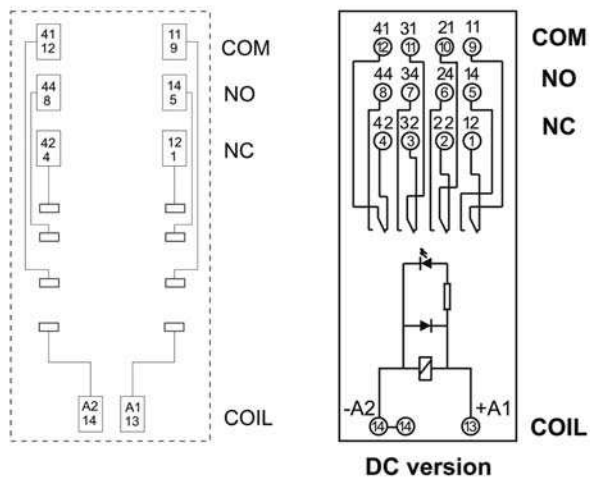
Unit 3, Sandy Hill Park  
Sandy Way, Amington • GB-Tamworth, Staffs B77 4DU  
Tel. +44 (0)1827 31333-0 • Fax +44 (0)1827 31333-2  
www.lutze.com • sales.gb@lutze.co.uk



**Dimensions**



**PIN assignment**



25.08.2017 – Subject to technical modification

Part-No. 770905

USA: LUTZE INC.

13330 South Ridge Drive • Charlotte, NC 28273, USA

Tel. +1 (704) 504-0222 • Fax +1 (704) 504-0223

www.lutze.com • info@lutze.com

United Kingdom: LÜTZE Ltd.

Unit 3, Sandy Hill Park

Sandy Way, Amington • GB-Tamworth, Staffs B77 4DU

Tel. +44 (0)1827 31333-0 • Fax +44 (0)1827 31333-2

www.lutze.com • sales.gb@lutze.co.uk