

| | | |
|-----------------------|---|---------------------------------|
| Identification | Type | MDT-FOC-SCRJ |
| | Part-No. | 772106 |
| Description | Module holder FOC female/female For TS35 DIN rail SCRJ , duplex, GOF, POF | |
| Technical data | Contact type | SCRJ to EN 50377-6-1 |
| General | Form | Module holder FOC female/female |
| | Pollution degree | 1 |
| | Class of flammability according to UL 94 | V0 |
| | Protection class | IP 20 |
| | Housing material | PC-GF grey |
| | Cable diameter | 4.5 – 8 mm |
| | Storage temperature range | -10 °C ... 60 °C |
| | Operation temperature range | -10 °C – 60 °C |
| | Dimensions (w × h × d) | 26.8 × 70.0 × 81.4 mm |
| | Mechanical service life | ≥ 500 insertion cycles |
| | Cross section | 2.5 mm |

29.01.2017 – Subject to technical modification

Part-No. 772106

USA: LUTZE INC.

13330 South Ridge Drive · Charlotte, NC 28273, USA
Tel. +1 (704) 504-0222 · Fax +1 (704) 504-0223
www.lutze.com · info@lutze.com

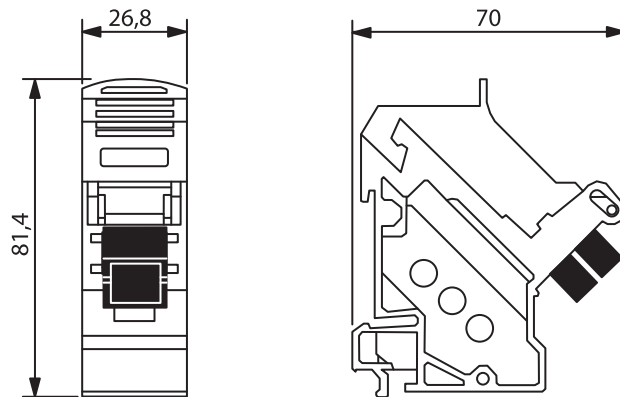
United Kingdom: LÜTZE Ltd.

Unit 3, Sandy Hill Park
Sandy Way, Amington · GB-Tamworth, Staffs B77 4DU
Tel. +44 (0)1827 31333-0 · Fax +44 (0)1827 31333-2
www.lutze.com · sales.gb@lutze.co.uk

Technical data sheet · Interface Technology

Weight (kg/piece) 0.063
PU 1

Dimensions



29.01.2017 – Subject to technical modification

Part-No. 772106

USA: LUTZE INC.

13330 South Ridge Drive · Charlotte, NC 28273, USA
Tel. +1 (704) 504-0222 · Fax +1 (704) 504-0223
www.lutze.com · info@lutze.com

United Kingdom: LÜTZE Ltd.

Unit 3, Sandy Hill Park
Sandy Way, Amington · GB-Tamworth, Staffs B77 4DU
Tel. +44 (0)1827 31333-0 · Fax +44 (0)1827 31333-2
www.lutze.com · sales.gb@lutze.co.uk