



Identification	Type	RJ45-M 8-pin Cat.5e V6
	Part-No.	772120
Description	Industrial connector RJ45 Version V6; category 5e IDC quick-connect technology	
Technical data		
Nominal voltage	30 V	
Rated current	Max. 1.75 A per contact	
Pol number	8	
Transmission frequency	100 MHz	
Category	5e (TIA 5688:2001)	
Contact type	IDC	
Shielding	yes	
General		
Form	V6 to ISO/IEC 61076-3-106	
Pollution degree	2	
Insulation resistance	≥100 MΩ	
Contact resistance	≤50 mΩ	
Class of flammability according to UL 94	V0	

29.01.2017 – Subject to technical modification

Part-No. 772120

USA: LUTZE INC.

13330 South Ridge Drive • Charlotte, NC 28273, USA
Tel. +1 (704) 504-0222 • Fax +1 (704) 504-0223
www.lutze.com • info@lutze.com

United Kingdom: LÜTZE Ltd.

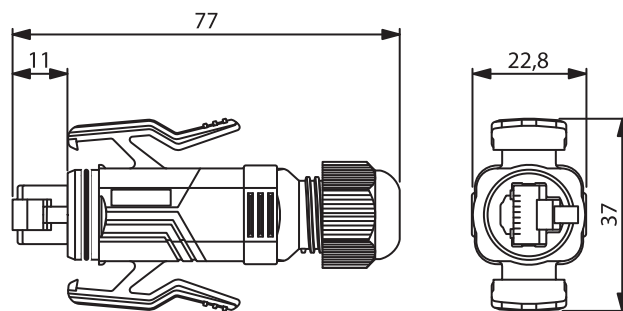
Unit 3, Sandy Hill Park
Sandy Way, Amington • GB-Tamworth, Staffs B77 4DU
Tel. +44 (0)1827 31333-0 • Fax +44 (0)1827 31333-2
www.lutze.com • sales.gb@lutze.co.uk



Technical data sheet · Interface Technology

Protection class	IP 67
Housing material	PA black
Contact material	CuSn, gold-plated
Field installation	No tools required
Sealing ring	NBR / FPM
Cable diameter	5 – 8 mm
Storage temperature range	-20 °C ... 70 °C
Operation temperature range	-20 °C – 70 °C
Dimensions (w × h × d)	77.0 × 37.0 × 22.8 mm
Mechanical service life	≥ 1000 insertion cycles
Cross section	AWG 16-22
Weight (kg/piece)	0.033
PU	1

Dimensions



Connection assignment

RJ45

	TIA 568A	TIA 568 B	Profinet
1	WHGN	WHOG	YE
2	GN	OG	OG
3	WHOG	WHGN	WH
4	BU	BU	-
5	WHBU	WHBU	-
6	OG	GN	BU
7	WHBR	WHBR	-
8	BR	BR	-

Accessories

29.01.2017 – Subject to technical modification

Part-No. 772120

USA: LUTZE INC.

13330 South Ridge Drive · Charlotte, NC 28273, USA

Tel. +1 (704) 504-0222 · Fax +1 (704) 504-0223

www.lutze.com · info@lutze.com

United Kingdom: LÜTZE Ltd.

Unit 3, Sandy Hill Park

Sandy Way, Amington · GB-Tamworth, Staffs B77 4DU

Tel. +44 (0)1827 31333-0 · Fax +44 (0)1827 31333-2

www.lutze.com · sales.gb@lutze.co.uk



SYSTEMATIC TECHNOLOGY

Technical data sheet · Interface Technology

Accessories	Article number	Type	PU
Parallel crimp tool	772129	RJ45-LC	1
Cable gland	772122	PM-RJ45 8F/IDC Cat.5e V6	1
Cable gland	772123	PM-RJ45 8F/IDC Cat.6 V6	1
Cable gland	772124	PM-RJ45 8F/F Cat.5e V6	1

29.01.2017 – Subject to technical modification

Part-No. 772120

USA: LUTZE INC.

13330 South Ridge Drive · Charlotte, NC 28273, USA

Tel. +1 (704) 504-0222 · Fax +1 (704) 504-0223

www.lutze.com · info@lutze.com

United Kingdom: LÜTZE Ltd.

Unit 3, Sandy Hill Park

Sandy Way, Amington · GB-Tamworth, Staffs B77 4DU

Tel. +44 (0)1827 31333-0 · Fax +44 (0)1827 31333-2

www.lutze.com · sales.gb@lutze.co.uk



SYSTEMATIC TECHNOLOGY