



Identification	Type	PM-RJ45 8F/IDC Cat.5e V6
	Part-No.	772122
Description	Cable gland, RJ45, female / IDC Version V6 Category 5e / 6, IDC, no tools required	
Technical data	Nominal voltage 30 V Rated current Max. 1.0 A per contact Pol number 8 Transmission frequency 100 MHz Category 5e (TIA 568B:2001) Contact type IDC Shielding yes	
General	Form V6 to ISO/IEC 61076-3-106 Pollution degree 1 Insulation resistance $\geq 100 \text{ M}\Omega$ Contact resistance $\leq 50 \text{ m}\Omega$ Class of flammability according to UL 94 V0	

29.01.2017 – Subject to technical modification

Part-No. 772122

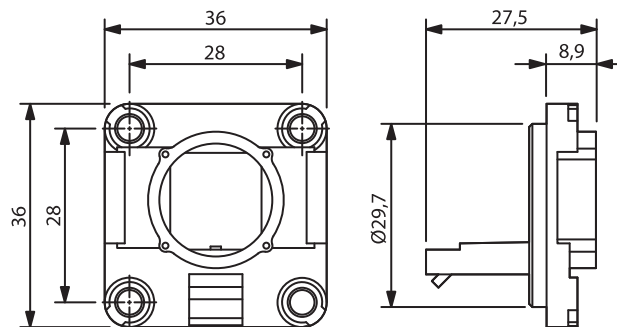
USA: LUTZE INC.
13330 South Ridge Drive • Charlotte, NC 28273, USA
Tel. +1 (704) 504-0222 • Fax +1 (704) 504-0223
www.lutze.com • info@lutze.com

United Kingdom: LÜTZE Ltd.
Unit 3, Sandy Hill Park
Sandy Way, Amington • GB-Tamworth, Staffs B77 4DU
Tel. +44 (0)1827 31333-0 • Fax +44 (0)1827 31333-2
www.lutze.com • sales.gb@lutze.co.uk

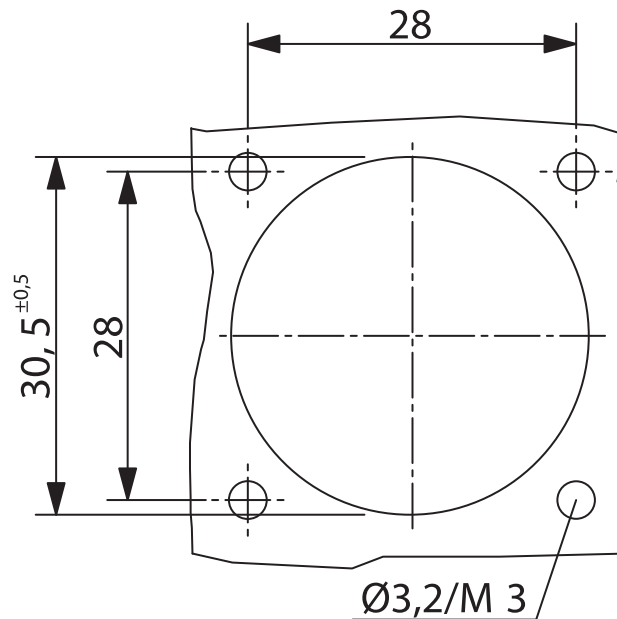
Technical data sheet · Interface Technology

Protection class	IP 67
Housing material	PA black
Contact material	CuSn, gold-plated
Sealing ring	NBR
Cable diameter	Max. 9.5 mm
Storage temperature range	-20 °C ... 70 °C
Operation temperature range	-20 °C – 70 °C
Dimensions (w × h × d)	36.0 × 36.0 × 27.5 mm
Mechanical service life	≥ 750 insertion cycles
Cross section	AWG 24-22
Weight (kg/piece)	0.027
PU	1

Dimensions



Mounting diagram



29.01.2017 – Subject to technical modification

Part-No. 772122

USA: LUTZE INC.

13330 South Ridge Drive · Charlotte, NC 28273, USA
Tel. +1 (704) 504-0222 · Fax +1 (704) 504-0223
www.lutze.com · info@lutze.com

United Kingdom: LÜTZE Ltd.

Unit 3, Sandy Hill Park
Sandy Way, Amington · GB-Tamworth, Staffs B77 4DU
Tel. +44 (0)1827 31333-0 · Fax +44 (0)1827 31333-2
www.lutze.com · sales.gb@lutze.co.uk

Connection assignment

RJ45

	TIA 568A	TIA 568 B	Profinet
1	WHGN	WHOG	YE
2	GN	OG	OG
3	WHOG	WHGN	WH
4	BU	BU	-
5	WHBU	WHBU	-
6	OG	GN	BU
7	WHBR	WHBR	-
8	BR	BR	-

Accessories

Accessories	Article number	Type	PU
Industrial connector RJ45	772120	RJ45-M 8-pin Cat.5e V6	1
Industrial connector RJ45	772121	RJ45-M 8-pin Cat.6 V6	1

29.01.2017 – Subject to technical modification

Part-No. 772122

USA: LUTZE INC.

13330 South Ridge Drive · Charlotte, NC 28273, USA

Tel. +1 (704) 504-0222 · Fax +1 (704) 504-0223

www.lutze.com · info@lutze.com

United Kingdom: LÜTZE Ltd.

Unit 3, Sandy Hill Park

Sandy Way, Amington · GB-Tamworth, Staffs B77 4DU

Tel. +44 (0)1827 31333-0 · Fax +44 (0)1827 31333-2

www.lutze.com · sales.gb@lutze.co.uk



SYSTEMATIC TECHNOLOGY