



Identification	Type	PM-RJ45 4F/IDC Cat.5e V14 Profinet
	Part-No.	772134

Description	Cable gland, RJ45, female / IDC Version V14, push-pull Category 5e
--------------------	--

Technical data	
Nominal voltage	30 V
Rated current	Max. 1.0 A per contact
Pol number	4
Transmission frequency	100 MHz
Category	5e (TIA 568B:2001)
Contact type	IDC
Shielding	yes

General	
Form	V14 to IEC 61918, IEC 61784-5-3
Pollution degree	2
Insulation resistance	≥100 MΩ
Contact resistance	≤50 mΩ
Class of flammability according to UL 94	V0

29.01.2017 – Subject to technical modification

Part-No. 772134

USA: LUTZE INC.
13330 South Ridge Drive · Charlotte, NC 28273, USA
Tel. +1 (704) 504-0222 · Fax +1 (704) 504-0223
www.lutze.com · info@lutze.com

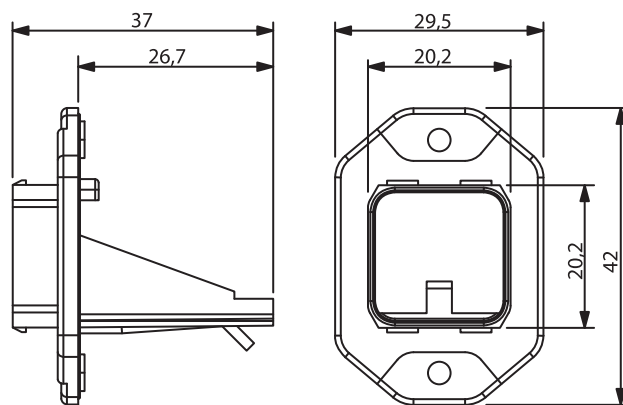
United Kingdom: LÜTZE Ltd.
Unit 3, Sandy Hill Park
Sandy Way, Amington · GB-Tamworth, Staffs B77 4DU
Tel. +44 (0)1827 31333-0 · Fax +44 (0)1827 31333-2
www.lutze.com · sales.gb@lutze.co.uk



Technical data sheet · Interface Technology

Protection class	IP 67
Housing material	PA-GF black
Contact material	CuSn, gold-plated
Sealing ring	NBR
Cable diameter	Max. 9.5 mm
Storage temperature range	-20 °C ... 70 °C
Operation temperature range	-20 °C – 70 °C
Dimensions (w × h × d)	29.5 × 42.0 × 37.0 mm
Mechanical service life	≥ 750 insertion cycles
Cross section	AWG 24-22
Weight (kg/piece)	0.050
Standards	Profinet
PU	1

Dimensions



29.01.2017 – Subject to technical modification

Part-No. 772134

USA: LUTZE INC.

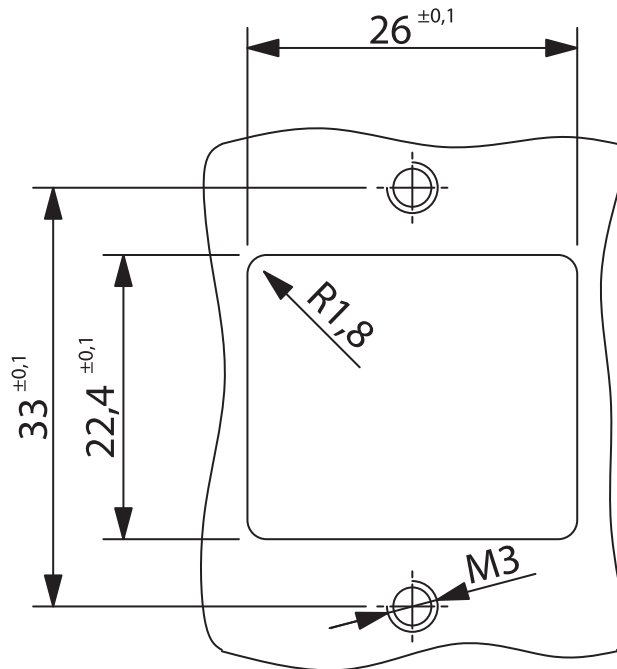
13330 South Ridge Drive · Charlotte, NC 28273, USA
Tel. +1 (704) 504-0222 · Fax +1 (704) 504-0223
www.lutze.com · info@lutze.com

United Kingdom: LÜTZE Ltd.

Unit 3, Sandy Hill Park
Sandy Way, Amington · GB-Tamworth, Staffs B77 4DU
Tel. +44 (0)1827 31333-0 · Fax +44 (0)1827 31333-2
www.lutze.com · sales.gb@lutze.co.uk



Mounting diagram



Connection assignment

RJ45

	TIA 568A	TIA 568 B	Profinet
1	WHGN	WHOG	YE
2	GN	OG	OG
3	WHOG	WHGN	WH
4	BU	BU	-
5	WHBU	WHBU	-
6	OG	GN	BU
7	WHBR	WHBR	-
8	BR	BR	-

Accessories

Accessories	Article number	Type	PU
Industrial connector RJ45	772131	RJ45-M 4-pin Cat.5e V14 Profinet	1
Industrial connector RJ45	772130	RJ45-M 8-pin Cat.5e V14	1
Industrial connector RJ45	772132	RJ45-M 8-pin Cat.6 V14	1

29.01.2017 – Subject to technical modification

Part-No. 772134

USA: LUTZE INC.

13330 South Ridge Drive • Charlotte, NC 28273, USA
 Tel. +1 (704) 504-0222 • Fax +1 (704) 504-0223
 www.lutze.com • info@lutze.com

United Kingdom: LÜTZE Ltd.

Unit 3, Sandy Hill Park
 Sandy Way, Amington • GB-Tamworth, Staffs B77 4DU
 Tel. +44 (0)1827 31333-0 • Fax +44 (0)1827 31333-2
 www.lutze.com • sales.gb@lutze.co.uk



SYSTEMATIC TECHNOLOGY