

Technical data sheet - Load monitoring

Connection type control side	X2: 12-pin multi-point plug, RM 3.5
Isolation voltage	1.5 kV

Output

Switching element	MosFet and relay (galvanic separation both poles: 500 V)
Output current	max. DC 10 A
Voltage drop	<170 mV (10 A)
Status display output	LED green: operating voltage ON, no fault, green flashing: 90 % I _B LED red flashing: triggered, red: OFF
Switch-on capacity	>10000 µF
Current range	1 A – 10 A (adjustable via switch in 1 A steps)
Characteristic	fast (1), medium (2), slow 1 (3), slow 2 (4), slow 3 (5), adjustable via switch, see 'characteristic curves'

Signal output

Switching element	One relay with 1 S per signal type
Single channel message	(Status CH1, CH2) 1 N/O contact, AC/DC 125 V, 1 A Relay closed: error Relay open: no error
90 % of the rated current I _B	(Status 90 % CH1, CH2) 1 N/O contact, AC/DC 125 V, 1 A Relay closed: >90 %, Relay open: <90 %
Insulation voltage	1.5 kV, 50 Hz, 1 min.

General

Operation temperature range	0 °C ... +55 °C
Storage temperature range	-40 °C ... +70 °C
Dimensions (w × h × d)	22.5 × 110.0 × 102.0 mm (including function carrier, without plug-in terminals on the side)
Housing material	PA 6.6 (UL 94 V-0, NFF I2, F2)
Mounting	plug-in on LCOS function carrier 22.5 mm (Accessories) DIN rail mounting (EN 60715)
Protection class	IP20
Installation position	any
Vibration resistance	Vibration: EN 60068-2-6 Fc, shock: EN 60068-2-27 Ea
Climatic conditions	Acc. to EN 60721 Stationary use at weather protected locations
Over voltage category	II
Degree of pollution	2
Connection type load side	X1: 8-pin multi-point plug, RM 5.08
Connection type control side	X2: 12-pin multi-point plug, RM 3.5

25.08.2017 – Subject to technical modification

Part-No. 779100.1211

USA: LUTZE INC.

13330 South Ridge Drive • Charlotte, NC 28273, USA
Tel. +1 (704) 504-0222 • Fax +1 (704) 504-0223
www.lutze.com • info@lutze.com

United Kingdom: LÜTZE Ltd.

Unit 3, Sandy Hill Park
Sandy Way, Amington • GB-Tamworth, Staffs B77 4DU
Tel. +44 (0)1827 31333-0 • Fax +44 (0)1827 31333-2
www.lutze.com • sales.gb@lutze.co.uk



SYSTEMATIC TECHNOLOGY

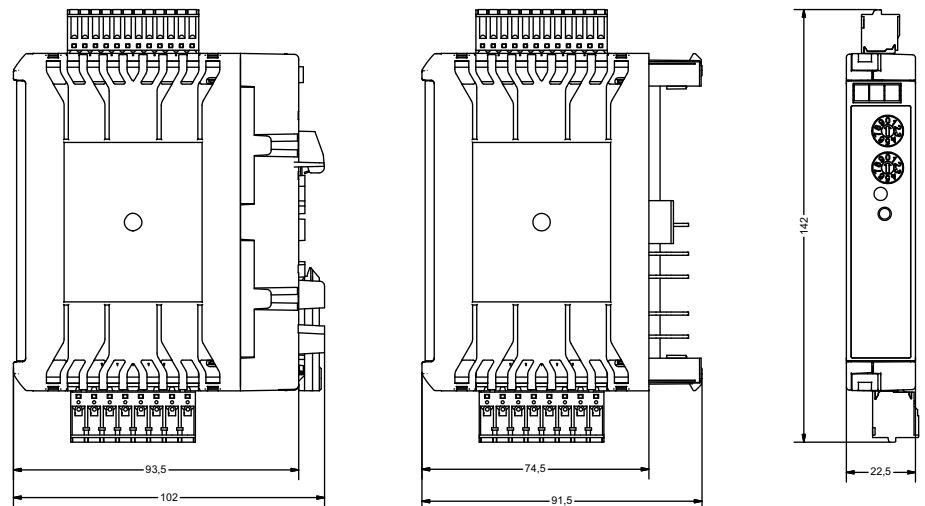
Technical data sheet · Load monitoring

Connection device	single wire 0.08 mm ² –1.5 mm ² / AWG 28–16
Strip length	RM 3.5: 9 mm, RM 5.08: 10 mm
Weight	0.200 kg/piece
Approvals	cULus (E170585) CE UL 61010 UL 2367 GL in preparation
Standards	EN 61131-2 EN 55016-1-2 EN 60529 EN 61000-6-2/4
PU	1 piece

Note

Included in the delivery	Plug-in terminals : CS 5.08 and CS 3.50
Not included in the delivery	Function carrier and other accessories

Dimensions



25.08.2017 – Subject to technical modification

Part-No. 779100.1211

USA: LUTZE INC.

13330 South Ridge Drive · Charlotte, NC 28273, USA

Tel. +1 (704) 504-0222 · Fax +1 (704) 504-0223

www.lutze.com · info@lutze.com

United Kingdom: LÜTZE Ltd.

Unit 3, Sandy Hill Park

Sandy Way, Amington · GB-Tamworth, Staffs B77 4DU

Tel. +44 (0)1827 31333-0 · Fax +44 (0)1827 31333-2

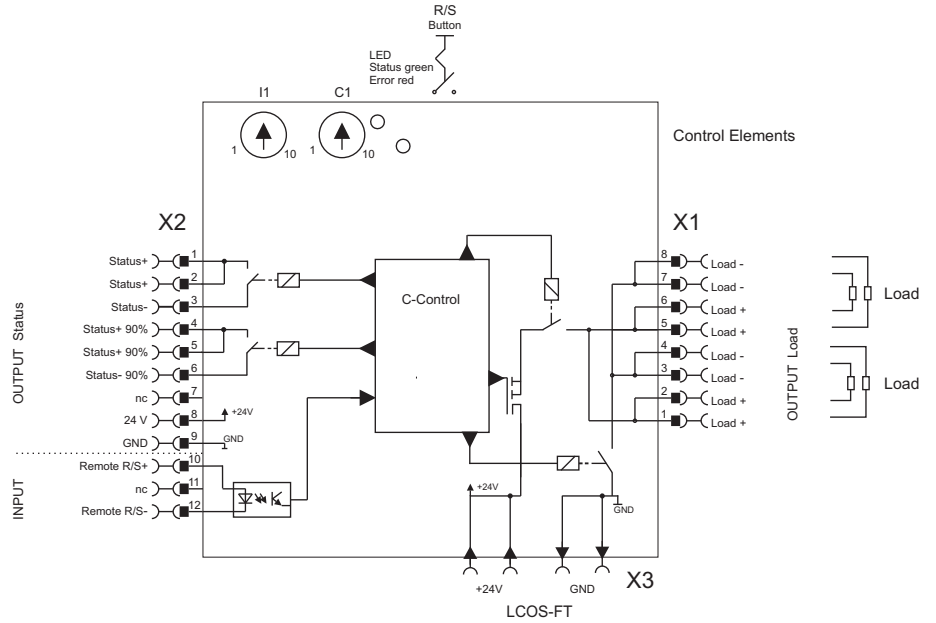
www.lutze.com · sales.gb@lutze.co.uk



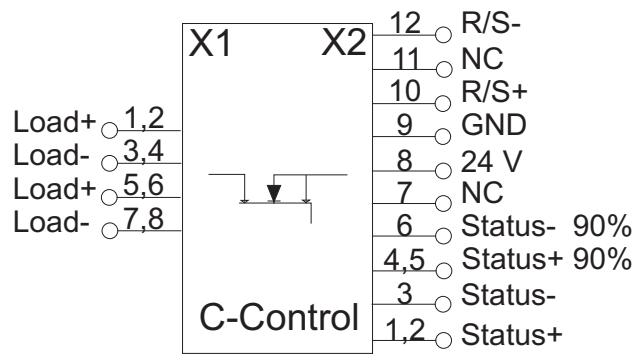
SYSTEMATIC TECHNOLOGY

Technical data sheet · Load monitoring

PIN assignment



PIN assignment



25.08.2017 – Subject to technical modification

Part-No. 779100.1211

USA: LUTZE INC.

13330 South Ridge Drive · Charlotte, NC 28273, USA
 Tel. +1 (704) 504-0222 · Fax +1 (704) 504-0223
 www.lutze.com · info@lutze.com

United Kingdom: LÜTZE Ltd.

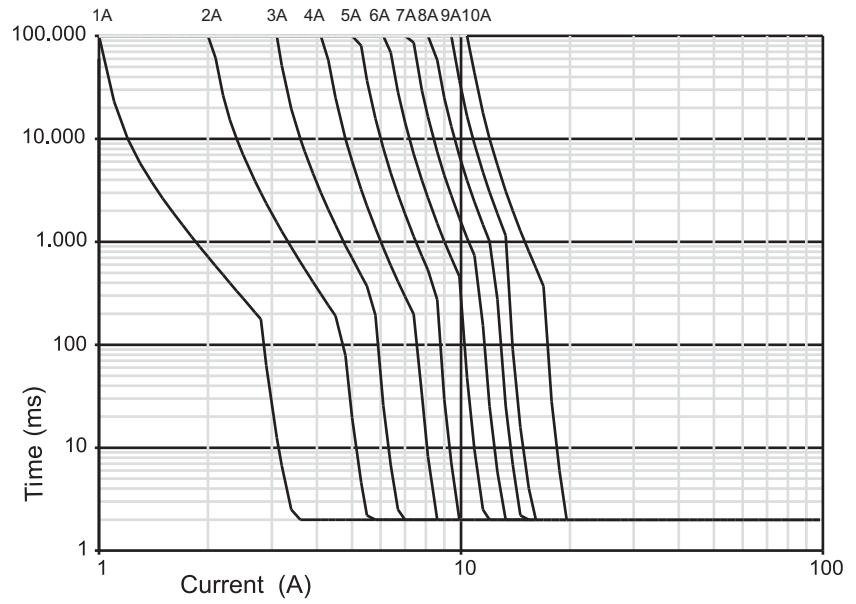
Unit 3, Sandy Hill Park
 Sandy Way, Amington · GB-Tamworth, Staffs B77 4DU
 Tel. +44 (0)1827 31333-0 · Fax +44 (0)1827 31333-2
 www.lutze.com · sales.gb@lutze.co.uk



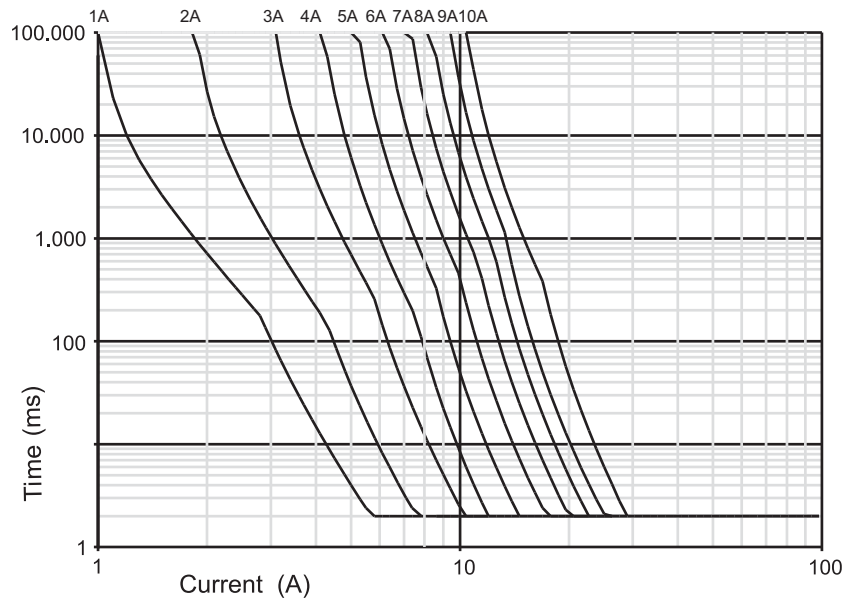
SYSTEMATIC TECHNOLOGY

Technical data sheet · Load monitoring

1: Characteristic fast



2: Characteristic medium



25.08.2017 – Subject to technical modification

Part-No. 779100.1211

USA: LUTZE INC.

13330 South Ridge Drive · Charlotte, NC 28273, USA

Tel. +1 (704) 504-0222 · Fax +1 (704) 504-0223

www.lutze.com · info@lutze.com

United Kingdom: LÜTZE Ltd.

Unit 3, Sandy Hill Park

Sandy Way, Amington · GB-Tamworth, Staffs B77 4DU

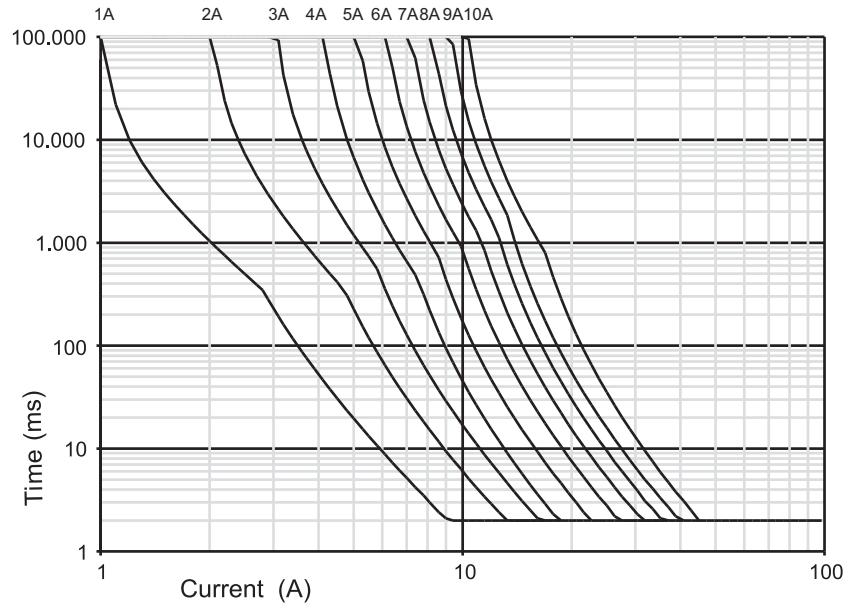
Tel. +44 (0)1827 31333-0 · Fax +44 (0)1827 31333-2

www.lutze.com · sales.gb@lutze.co.uk

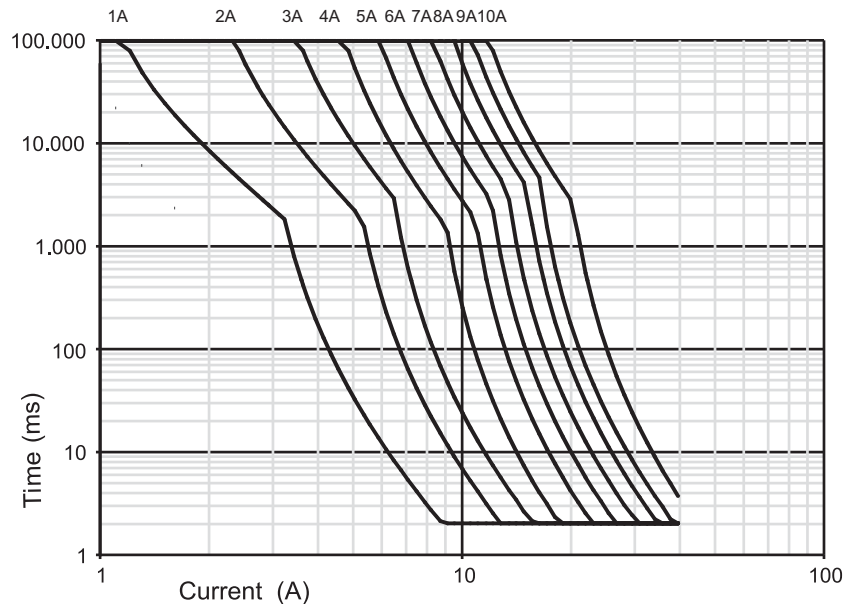


SYSTEMATIC TECHNOLOGY

3: Characteristic slow-1



4: Characteristic slow-2



25.08.2017 – Subject to technical modification

Part-No. 779100.1211

USA: LUTZE INC.

13330 South Ridge Drive · Charlotte, NC 28273, USA

Tel. +1 (704) 504-0222 · Fax +1 (704) 504-0223

www.lutze.com · info@lutze.com

United Kingdom: LÜTZE Ltd.

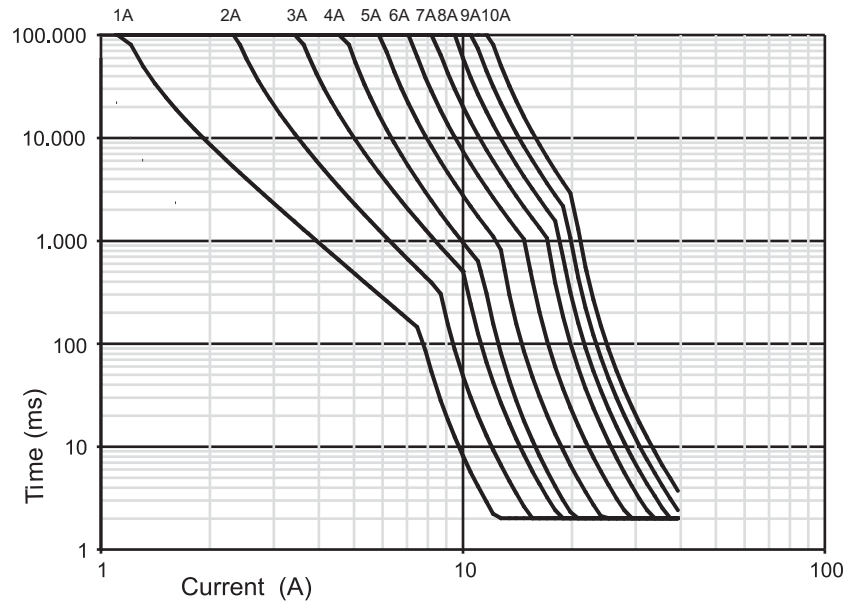
Unit 3, Sandy Hill Park

Sandy Way, Amington · GB-Tamworth, Staffs B77 4DU

Tel. +44 (0)1827 31333-0 · Fax +44 (0)1827 31333-2

www.lutze.com · sales.gb@lutze.co.uk

5: Characteristic slow-3



25.08.2017 – Subject to technical modification

Part-No. 779100.1211

USA: LUTZE INC.

13330 South Ridge Drive · Charlotte, NC 28273, USA

Tel. +1 (704) 504-0222 · Fax +1 (704) 504-0223

www.lutze.com · info@lutze.com

United Kingdom: LÜTZE Ltd.

Unit 3, Sandy Hill Park

Sandy Way, Amington · GB-Tamworth, Staffs B77 4DU

Tel. +44 (0)1827 31333-0 · Fax +44 (0)1827 31333-2

www.lutze.com · sales.gb@lutze.co.uk



SYSTEMATIC TECHNOLOGY