



Identification	Type Part-No.	LCOS-FGO-350-01/00/01-1 780103.350.1
Use/Application/Properties		
Description	Function housing 35 mm, with cooling slits, closed front plate, connection opening top/ bottom	
General		
Dimensions (w x h x d)	35.0 x 110.0 x 74.0 mm	
Material	Polyamid PA 6.6 (UL 94 V0, NFF I2, F2)	
Field installation	can be connected to function carrier	
Marking	3 x Labelling plates 5x5 mm	
General ambient conditions		
Operation temperature range	-40 °C – 85 °C	
Storage temperature range	-40 °C – 85 °C	
Relative humidity	5 % – 95 % without condensing	
Protection class	IP 20	
Low power loss	9 W @ 20°C, 4 W @ 60°C, 3 W @ 75°C	
Standards	Loads from pollutants IEC 60068-2-42, IEC 60068-2-43 Insulation coordination EN 60064-1, EN 60947-1, EN 50175, EN 50124-1 Shock resistance 15 G/11 ms, IEC 60068-2-27 Vibration resistance 4 G, IEC 60068-2-8	

03.04.2016 – Subject to technical modification

Part-No. 780103.350.1

USA: LUTZE INC.

13330 South Ridge Drive • Charlotte, NC 28273, USA
Tel. +1 (704) 504-0222 • Fax +1 (704) 504-0223
www.lutze.com • info@lutze.com

United Kingdom: LUTZE Ltd.

Unit 3, Sandy Hill Park
Sandy Way, Amington • GB-Tamworth, Staffs B77 4DU
Tel. +44 (0)1827 31333-0 • Fax +44 (0)1827 31333-2
www.lutze.com • sales.gb@lutze.co.uk



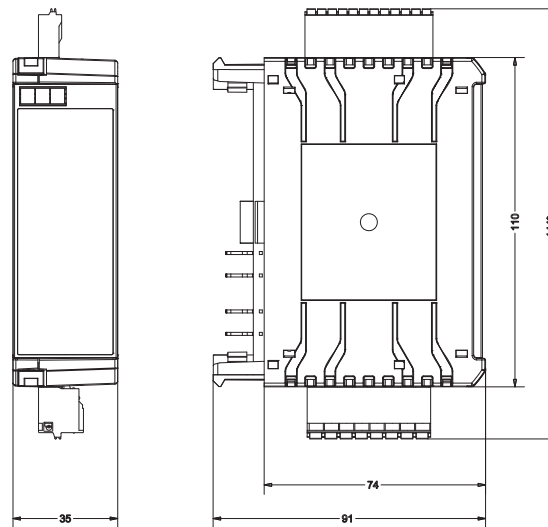
SYSTEMATIC TECHNOLOGY

Technical data sheet · Modular housing system

Approvals

cURus

Dimensions



Accessories

Accessories	Article number	Type	PU
Function carrier 35 mm, can be expanded with modules with PE direct contact	780331.350.1	LCOS-FT-PE-350-00-03-1	1
Function carrier 35 mm, can be expanded with modules with PE direct contact	780331.350.2	LCOS-FT-PE-350-00-03-2	10
Labelling plates 5x5 mm, white, frame with 200 plates	780981.000.2	LCOS-ZB-BZS-white-00	10
Labelling plates 5x5 mm, red, frame with 200 plates	780982.000.2	LCOS-ZB-BZS-red-00	10
Labelling plates 5x5 mm, blue, frame with 200 plates	780983.000.2	LCOS-ZB-BZS-blue-00	10
plug-in terminal black, RM 5,08, 8-pin, 2,5 mm ² , Push-in, 1-8 printed	780922.000.2	LCOS-ZB-KL-FS-500-25-8-black	10
Plug-in terminal black, RM 3,50, 12-polig, 1,5 mm ² , Push-in, 1-12 printed	780921.000.2	LCOS-ZB-KL-FS-350-15-12-black	10

03.04.2016 – Subject to technical modification

Part-No. 780103.350.1

USA: LUTZE INC.

13330 South Ridge Drive · Charlotte, NC 28273, USA
 Tel. +1 (704) 504-0222 · Fax +1 (704) 504-0223
 www.lutze.com · info@lutze.com

United Kingdom: LUTZE Ltd.

Unit 3, Sandy Hill Park
 Sandy Way, Amington · GB-Tamworth, Staffs B77 4DU
 Tel. +44 (0)1827 31333-0 · Fax +44 (0)1827 31333-2
 www.lutze.com · sales.gb@lutze.co.uk



SYSTEMATIC TECHNOLOGY