

MEF EMC-FILTER 1-PHASE 1-STAGE

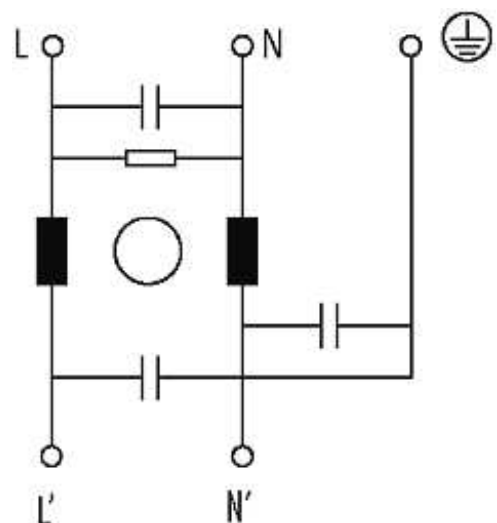
I:20A U:250 VAC/300 VDC snap on

Current: 20 A
DIN-rail mountable
for universal applications

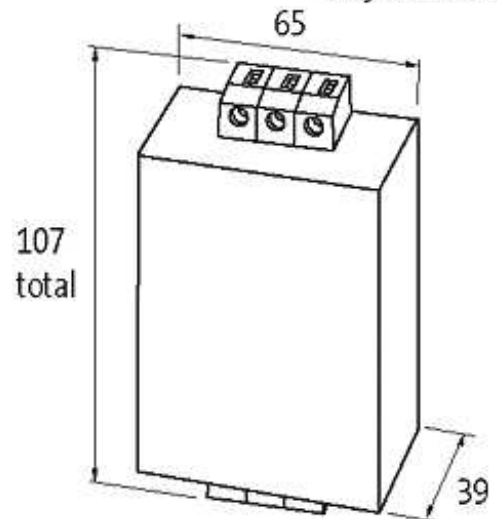
Attenuation curves on request.

[Link to Product](#)

Illustration



stay connected



Product may differ from Image

Approvals



General data

Climatic category	25/085/21 (EN 60068-1)
Test isolation voltage	2.7 kV (L - N), 2 s; 2.1 kV (L - L), 2 s (EN 60939-2)
Connection	Screw connection, touch protected
Mounting method	DIN-rail mountable TH35 (EN 60715)
Dimensions H x W x D	107x65x39 mm

Technical Data

Operating voltage	max. 250 V AC/300 V DC
Operating frequency	50...60 Hz
Overload current	18 x (IN t) max. 0.5 ms; 1.5 x (IN t) max. 1 min. (1 x per hour)
Consumption at 250 V AC	max. 5 mA
Connection cross section	0.2...6 mm ² single core (AWG 24...9); 0.2...4 mm ² multiple core (AWG 24...11)

Commercial data

country of origin	IT
customs tariff number	85363030
minimum order quantity	1