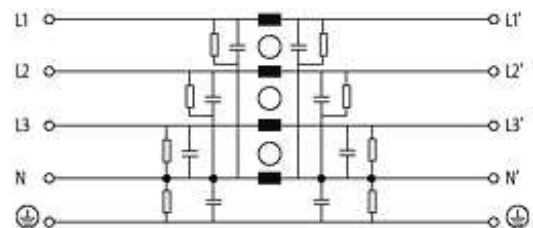


MEF EMC-FILTER 3-PHASE 1-STAGE WITH NEUTRAL

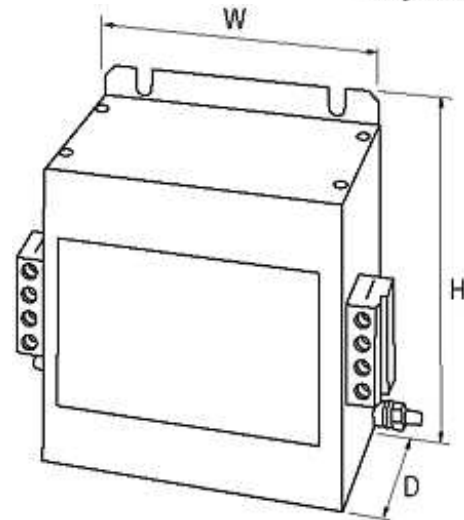
I:72A U:4x500 VAC

Current: 72 A
with neutral
with increased damping

Attenuation curves on request.

[Link to Product](#)**Illustration**

stay connected



Product may differ from Image

Approvals



General data

Climatic category	25/085/21 (EN 60068-1)
Test isolation voltage	3.3 kV (L - N), 2 s; 3.1 kV (L -L), 2 s
Mounting method	screw fixing
Dimensions H x W x D	153x118x125 mm

Technical Data

Connection cross section	0.5...25 mm ² single core (AWG 20...3); 0.5...25 mm ² multiple core (AWG 20...3)
--------------------------	--

Description

Functional description	The 3-phase and one-stage EMC filters MEF 3/1 are used in the range 0.1...30 MHz and dampen interferences found in cables from the mains, supply units and control systems. They are suitable for TN-S, TN-C-S, and TT networks. The best results are obtained
------------------------	--

Commercial data

country of origin	IT
customs tariff number	85363030
minimum order quantity	1