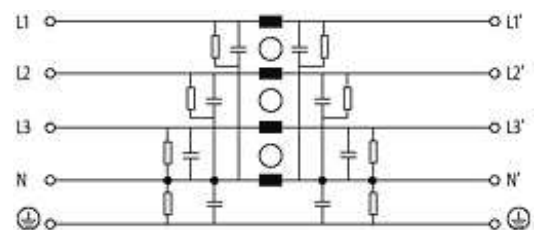


**MEF EMC-FILTER 3-PHASE 1-STAGE WITH NEUTRAL**

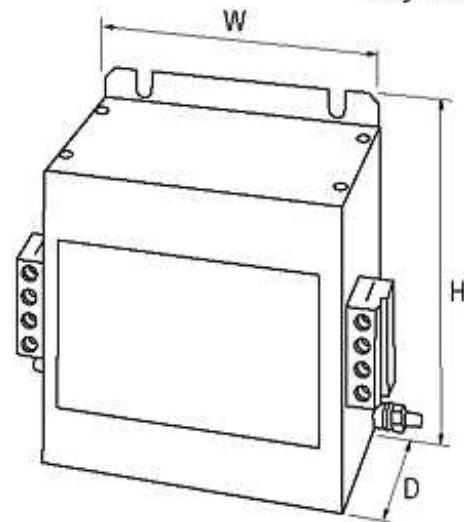
I:100A U:4x500 VAC

Current: 100 A  
with neutral  
with increased damping

Attenuation curves on request.

[Link to Product](#)**Illustration**

stay connected



Product may differ from Image

### Approvals



### General data

Climatic category	25/085/21 (EN 60068-1)
Test isolation voltage	3.3 kV (L - N), 2 s; 3.1 kV (L -L), 2 s
Mounting method	screw fixing
Dimensions H × W × D	170×180×140 mm

### Technical Data

Connection cross section	6...35 mm <sup>2</sup> single core (AWG 9...2); 10...35 mm <sup>2</sup> multiple core (AWG 7...2)
--------------------------	---

### Description

Functional description	The 3-phase and one-stage EMC filters MEF 3/1 are used in the range 0.1...30 MHz and dampen interferences found in cables from the mains, supply units and control systems. They are suitable for TN-S, TN-C-S, and TT networks. The best results are obtained
------------------------	--

### Commercial data

country of origin	IT
customs tariff number	85363030
minimum order quantity	1