

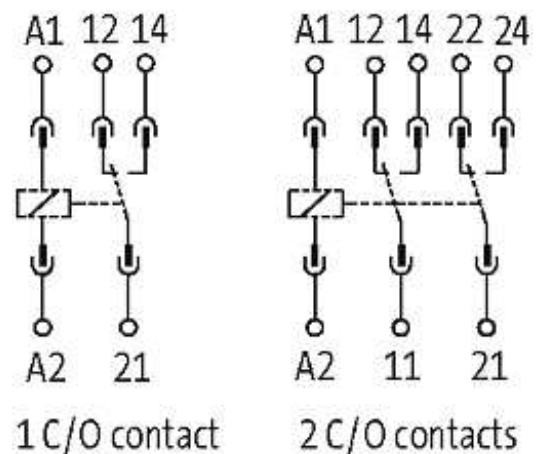
RTS-2FI RELAY SOCKET MODULES

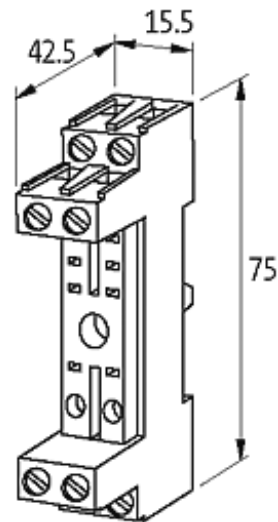
IN: 250 VAC/DC / 250 VAC/DC / 10 A

for plug relays MRS
1 or 2 NO/NC contacts
max. 250 V AC

[Link to Product](#)

Illustration





Product may differ from Image

General data

Standards	touch protected (VGB 4) and (VDE 0106) part 100 and 101
Test isolation voltage	5 kV
Connection	Screw terminals: max. 4 mm ²
Mounting method	DIN-rail mountable (EN 60715)
Dimensions H × W × D	81.9×15.5×75 mm

Technical Data

Additional suppressor	plug-in suppressor module MRE
Switching voltage	max. 250 V AC
Switching current	max. 16 A

Commercial data

country of origin	IT
customs tariff number	85366990
minimum order quantity	1