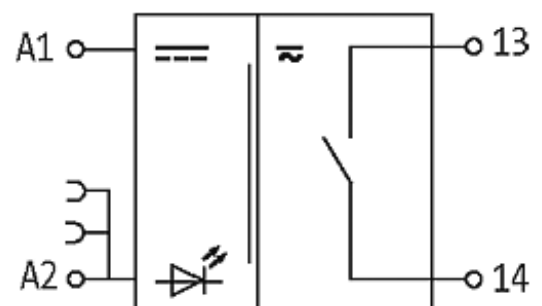
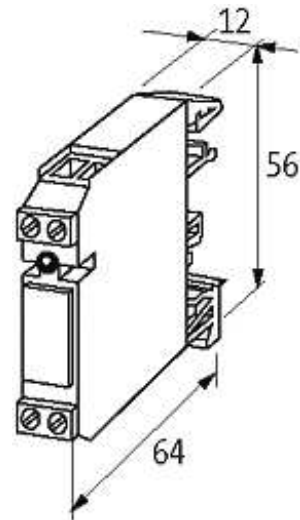


**RMM 11/48VDC WITH GROUND BRIDGE OUTPUT RELAY**

IN: 48 VAC/DC - OUT: 250V / 6 A

1 relay; 1 NO contact  
5 A  
48 V AC/DC  
with minus plug link  
Screw terminals

[Link to Product](#)**Illustration**



Product may differ from Image

### Input

Connection voltage - current	48 VAC/DC (40...53 VAC/DC) - 10mA
Plug link (supplied)	Art.-Nr. 90960
LED display	LED (red)

### Utilization category

AC-1	6 A (24/110/230 V AC)
AC-15	4 A (24/110/230 V AC)
DC-13	2 A (24 V DC); 0.25 A (110 V DC); 0.1 A (230 V DC)

### General data

Mech./ elect. life	20.000.000 switching cycles/load dependent
Test isolation voltage	4 kV
Mounting method	DIN-rail mountable TH35 or G32 (EN 60715)
Temperature range	-20...+50 °C
Dimensions H × W × D	56×12×65 mm

### Output

Switching voltage	max. 250 V AC/300 V DC
Switching current per output	max. 5 A
Min. load current	100 mA
Power rating (voltage dependent)	max. 1250 VA/240 W
Switching frequency	max. 10 Hz
Contact material	Ag Ni 0.15 hv
Energize/release/contact bounce time	10/15/1.5 ms

### Commercial data

country of origin	CZ
customs tariff number	85364900
minimum order quantity	1