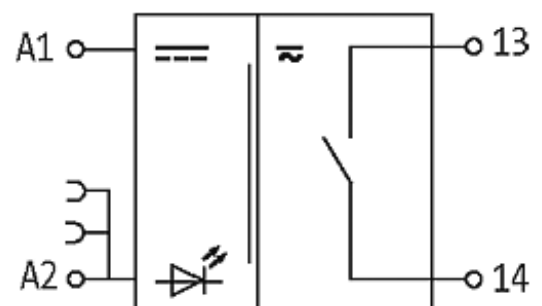
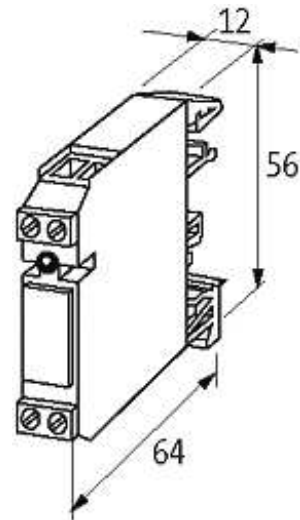


RMM 11/24VDC WITH GROUND BRIDGE OUTPUT RELAY

IN: 24 VAC/DC - OUT: 250 VAC/DC / 5 A

1 relay; 1 NO contact
5 A
24 V AC/DC
with minus plug link
Screw terminals

[Link to Product](#)**Illustration**



Product may differ from Image

Input

Connection voltage - current	24 VAC/DC (19.2...30 VAC/DC) - 15mA
Plug link (supplied)	Art.-Nr. 90960
LED display	LED (red)

Utilization category

AC-1	5 A (24/110/230 V AC)
AC-15	3 A (24/110/230 V AC)
DC-13	1.5 A (24 V DC); 0.3 A (110 V DC); 0.15 A (230 V DC)

General data

Test isolation voltage	4 kV
Mounting method	DIN-rail mountable TH35 or G32 (EN 60715)
Dimensions H × W × D	56×12×65 mm

Output

Switching voltage	max. 250 V AC/300 V DC
Switching current per output	max. 5 A
Min. load current	100 mA
Power rating (voltage dependent)	max. 1250 VA/240 W
Switching frequency	max. 10 Hz
Contact material	Ag Ni 0.15 hv
Energize/release/contact bounce time	10/15/1.5 ms

Commercial data

country of origin	CZ
customs tariff number	85364900
minimum order quantity	1