

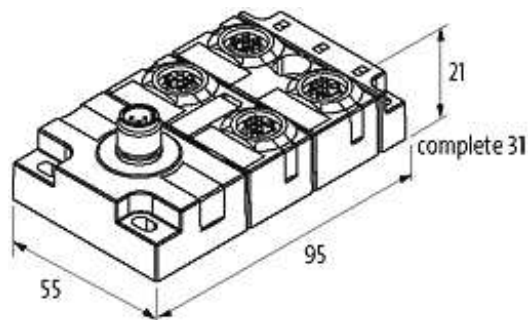
Tree 4TX IP67 Metal - Unmanaged Switch - 4xM12

4 port unmanaged switch

For connection cables please see chapter "Connection Technology"

[Link to Product](#)

Illustration



Product may differ from Image

Approvals



Connections

Fieldbus	4 × M12 (female), D-coded
Supply System	1 × M12 male, A-coded

General data

Protection	IP67
Housing	Zinc die casting, matte nickel plated
Mounting method	4 hole screw mounting
Temperature range	-25...+60 °C (storage temperature -40...+80 °C)
Dimensions H × W × D	95×55×31 mm

The information in this brochure has been compiled with the utmost care.

Liability for the correctness completeness and topicality of the information is restricted to gross negligence. Version: 05/16

Murrelektronik GmbH | Falkenstraße 3, 71570 Oppenweiler | Fon +49 (71 91) 47-0, Fax +49 (71 91) 47-491000 | shop@murrelektronik.com | shop.murrelektronik.com

Technical Data

Operating voltage	2 × 18...30 V DC, redundancy
Transfer rate	10/100 Mbit/s full duplex
Operating modes	Autocrossing Autonegotiation

Diagnostic

Communication status	via LED
Monitoring - no voltage	yes

Commercial data

country of origin	DE
customs tariff number	85176200
minimum order quantity	1