

IR RELAY SOCKET MODULES

IN: 250 V / 250 VAC/DC / 10 A

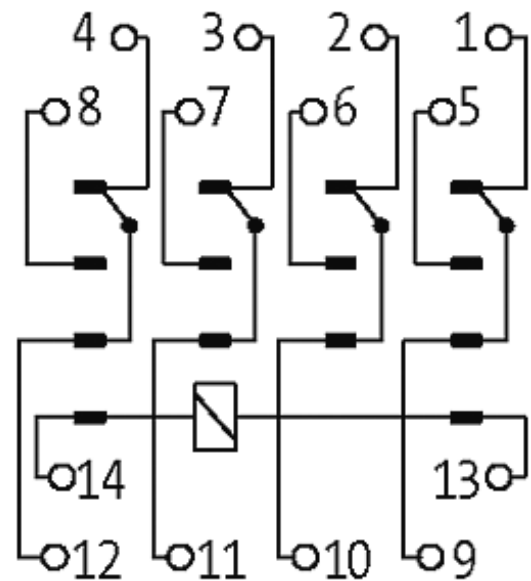
for industrial relays

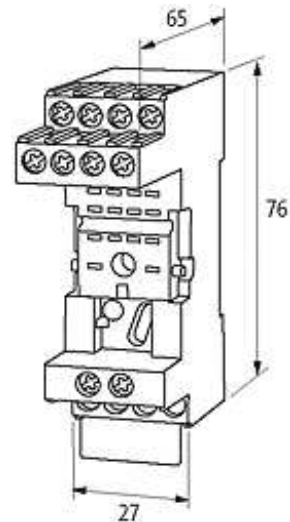
4 NO/NC contacts

0...230 V AC/DC, without components

[Link to Product](#)

Illustration





Product may differ from Image

General data

Mounting method	DIN-rail mountable (EN 60715)
Protection	IP40
Connection	Spring clamp terminals
Dimensions H x W x D	76.5x27x65 mm

Technical Data

Switching voltage	max. 250 V AC/110 V DC
Switching current	max. 5 A

Commercial data

country of origin	IT
customs tariff number	85366990
minimum order quantity	1