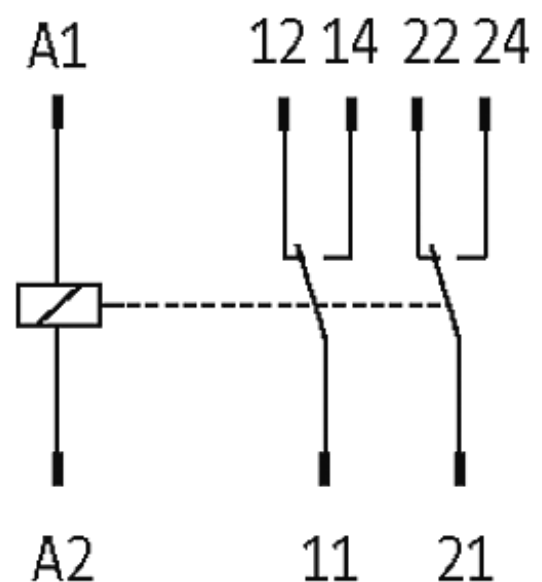
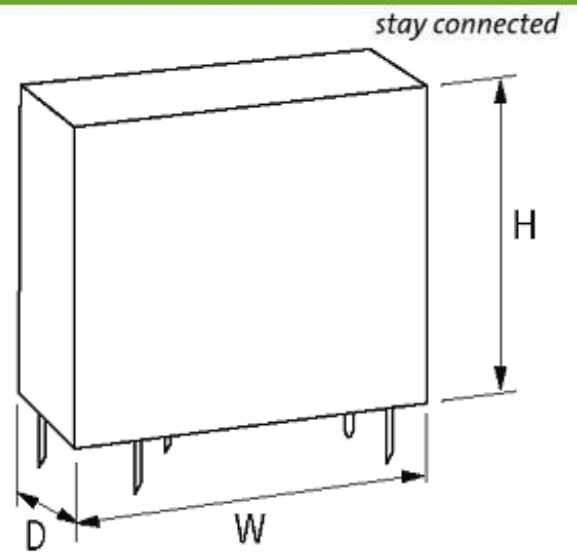


**RELAY 24V DC**

IN: 24 VDC - OUT: 250 VAC/DC / 8 A

2 NO/NC contacts  
24 V DC[Link to Product](#)**Illustration**



Product may differ from Image