

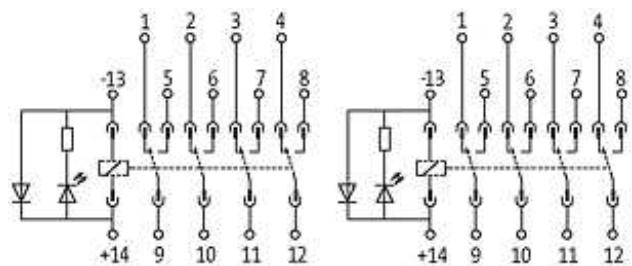
## MKS - J 24/LED 24 RELAY SOCKET MODULES

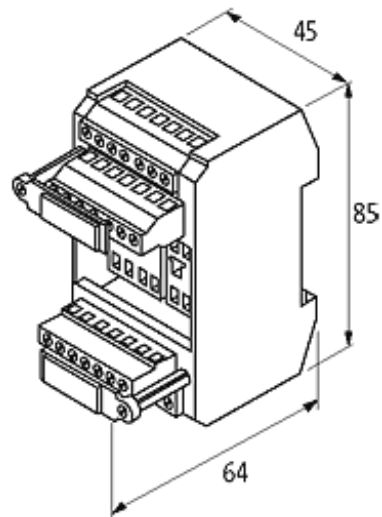
IN: 24 VDC - OUT: 250 VAC/ 110 DC / 2 A

for industrial relays  
4 NO/NC contacts  
24 V DC  
Diode + LED

### [Link to Product](#)

#### Illustration





Product may differ from Image

### General data

Connection	Screw terminals: max. 4 mm <sup>2</sup>
Test isolation voltage	2.5 kV
Mounting method	DIN-rail mountable (EN 60715)
Dimensions H × W × D	85×45×64 mm

### Technical Data

Switching voltage	max. 250 V AC/110 V DC
Switching current	max. 3 A

### Commercial data

country of origin	CZ
customs tariff number	85366990
minimum order quantity	1