

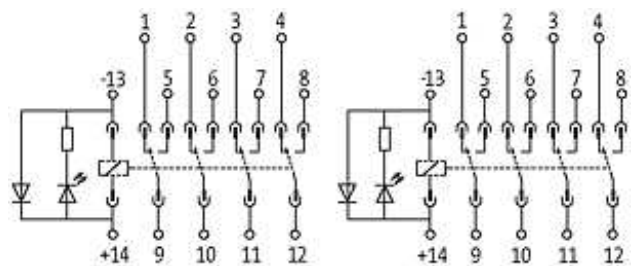
MKS - J 24/LED 230 RELAY SOCKET MODULE

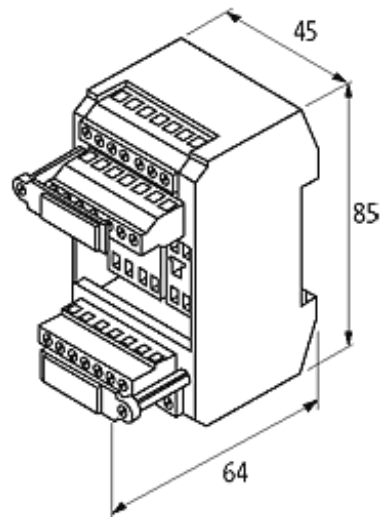
IN: 230 VAC / 250 VAC / 6 A

for industrial relays
4 NO/NC contacts
110...230 V AC
RC + LED

[Link to Product](#)

Illustration





Product may differ from Image

General data

Connection	Screw terminals: max. 4 mm ²
Test isolation voltage	2.5 kV
Mounting method	DIN-rail mountable (EN 60715)
Dimensions H × W × D	85×45×64 mm

Technical Data

Switching voltage	max. 250 V AC/110 V DC
Switching current	max. 3 A

Commercial data

country of origin	CZ
customs tariff number	85366990
minimum order quantity	1