

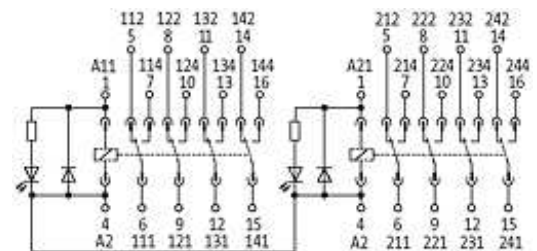
MKS-K24M/LED24 VDC RELAY SOCKET MODULES

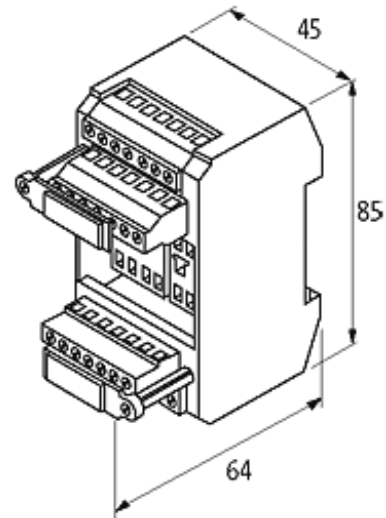
IN: 24 VDC - OUT: 125 VAC/DC / 2 A

for cradle relay
 4 NO/NC contacts
 24 V DC, minus bridged (coil)

[Link to Product](#)

Illustration



stay connected

Product may differ from Image

General data

Connection	Screw terminals: max. 4 mm ²
Test isolation voltage	2.5 kV
Mounting method	DIN-rail mountable (EN 60715)
Dimensions H × W × D	85×45×64 mm

Technical Data

Switching voltage	max. 125 V AC/150 V DC
Switching current	max. 2 A

Commercial data

country of origin	CZ
customs tariff number	85364900
minimum order quantity	1