

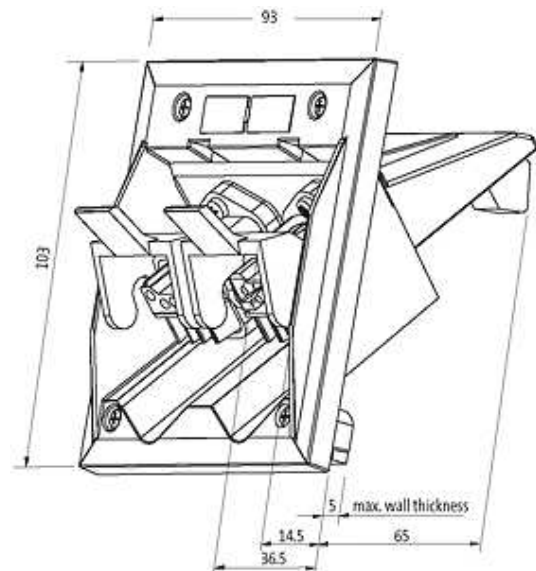
HYBRID FIELD-BUS COUPLERS

Conversion electrical-electrical (passive)

M12, B-coded, 7/8" (female/female)

[Link to Product](#)

Illustration



Product may differ from Image

General data

Housing	Black plastic, flame retardant
Cut-out	H × W: 90 × 80 mm
Temperature range	-25...+50 °C

Dimensions H x W x D	103x93x50 mm
----------------------	--------------

Technical Data

Shielded	no
----------	----

Commercial data

country of origin	DE
-------------------	----

customs tariff number	85177090
-----------------------	----------

minimum order quantity	1
------------------------	---