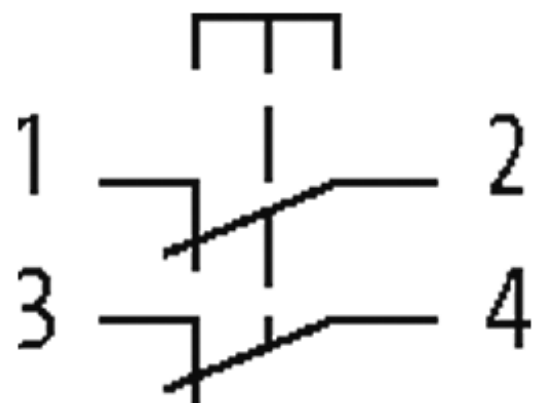


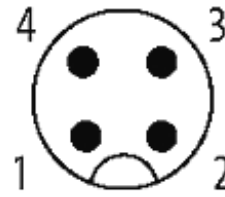
**Emergency-stop pushbutton with 2 positive opening contacts**

in a IP65 enclosure

E-Stop 72P 2NC M12(4)  
with M12 connection  
4-pole  
2 NC (positively-opening)  
with protection shroud

[Link to Product](#)**Illustration**

## Male

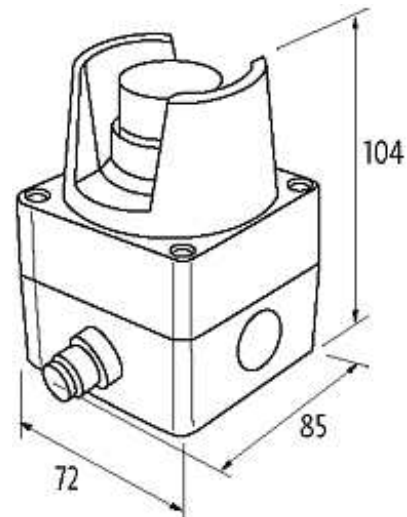


PIN 1: N/C 1

PIN 2: N/C 1

PIN 3: N/C 2

PIN 4: N/C 2



Product may differ from Image

	UL, TÜV
Emergency-Stop button	cULus, TÜV, UR (NISD 2)
Housing	cULus, Type 4x
Connector	UR
	UL, TÜV
<b>Contact layout</b>	
PIN 1	N/C 1
PIN 2	N/C 1
PIN 3	N/C 2
PIN 4	N/C 2
<b>Utilization category</b>	
AC-15	3 A (250 V AC)
DC-13	2 A (24 V DC)
<b>General data</b>	
Mech./ elect. life	1,000,000 operations, load-temperature dependent
Lambda (d)	20 % (N/C)
Contact material	Ag Ni
B10d	250.000
Protection	IP65

Connection	M12 (4-pole)
Mounting method	screw fixing
Dimensions H × W × D	104×72×85 mm
Temperature range	-25...+60 °C (storage temperature -25...+85 °C)

**Technical Data**

Switching capacity	30 A (AC 15); 2.2 A (DC 13)
Contact bounce time	max. 9 ms

**Commercial data**

country of origin	DE
customs tariff number	85365080
minimum order quantity	1