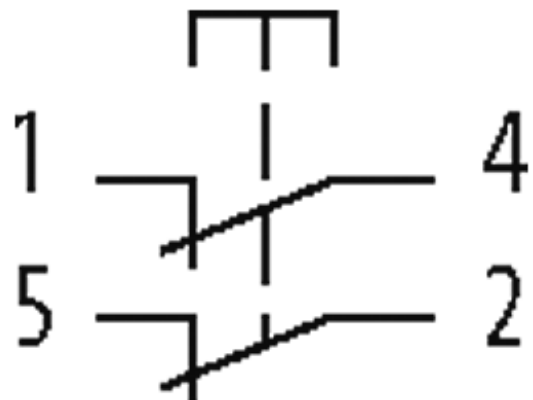


Emergency-stop pushbutton with 2 positive opening contacts

in a IP65 enclosure

E-Stop 72 2NC M12(5)
with M12 connection
5-pole
2 NC (positively-opening)

[Link to Product](#)**Illustration**

stay connected

Male



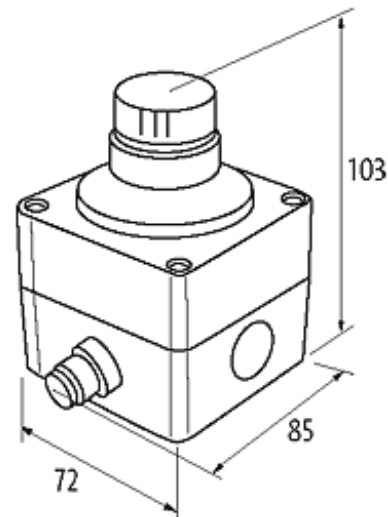
PIN 1: N/C 1

PIN 2: N/C 2

PIN 3: n.c.

PIN 4: N/C 1

PIN 5: N/C 2



Product may differ from Image

	UL, TÜV
Emergency-Stop button	cULus, TÜV, UR (NISD 2)
Housing	cULus, Type 4x
Connector	UR
	UL, TÜV

Contact layout

PIN 1	N/C 1
PIN 2	N/C 2
PIN 3	n.c.
PIN 4	N/C 1
PIN 5	N/C 2

Utilization category

AC-15	3 A (250 V AC)
DC-13	2 A (24 V DC)

General data

Mech./ elect. life	1,000,000 operations, load-temperature dependent
Lambda (d)	20 % (N/C)
Contact material	Ag Ni
B10d	250.000

Protection	IP65
Connection	M12 (5-pole)
Mounting method	screw fixing
Dimensions H × W × D	103×72×85 mm
Temperature range	-25...+60 °C (storage temperature -25...+85 °C)

Technical Data

Switching capacity	30 A (AC 15); 2.2 A (DC 13)
Contact bounce time	max. 9 ms

Commercial data

country of origin	DE
customs tariff number	85365080
minimum order quantity	1