

## MB DIODE

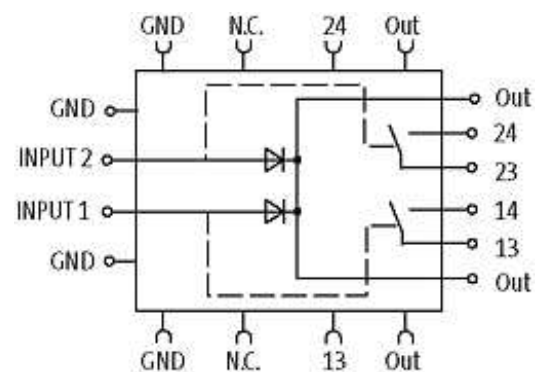
IN: 24VDC/2x20ADC OUT: 24V/20-40ADC

INPUT: 24 V DC (SELV/PELV)

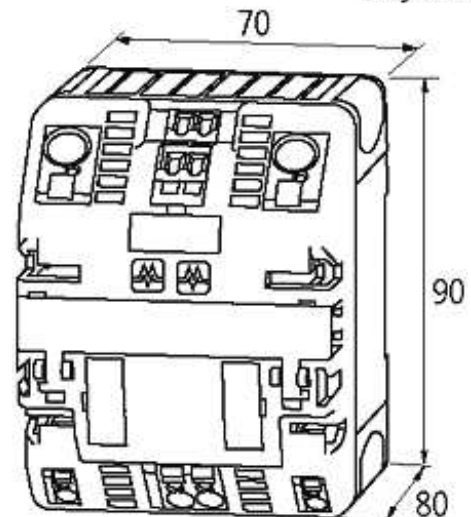
OUTPUT: max. 2 × 20 A / 1 × 40 A

### [Link to Product](#)

#### Illustration



stay connected



Product may differ from Image

### Approvals



### Input

|                            |  |
|----------------------------|--|
| Input voltage              | 24 V DC (21...30 V DC)   |
| Input current              | 2 × 20 A/1 × 40 A  |
| Total current              | max. 40 A  |
| Invers-polarity protection | Internal protection against reverse polarization up to 60 V DC |
| Auto-Balancing (50/50)     | no   |

### General data

|                   |  |
|-------------------|--|
| Standards         | EN 61000-6-2, EN 61000-6-3   |
| Bridging concept  | two sides, with spring clamp terminals or bridge set (max. 40 A)             |
| Relative humidity | 5...95 %, no condensation  |
| Power loss        | $U$ (approx. 0.5 V) × $I$  |
| Efficiency        | 97 %   |
| Connection        | Spring clamp terminals   |
| Mounting method   | DIN-rail mountable TH35 (EN 60715)   |
| Temperature range | -25...+55 °C (20 A); -25...+40 °C (40 A); (storage temperature -25...+85 °C) |

### Output

|                |  |
|----------------|--|
| Output voltage | 24 V DC (21...30 V DC)                     |
| Output current | 20 A (-25...+55 °C); 40 A (-25...+40 °C)   |
| Overload       | at 20 A +50 % for 4 s                      |
| LED display    | LED (green)                                |
| Alarm output   | potential free per channel (relay contact) |

### Commercial data

The information in this brochure has been compiled with the utmost care.

Liability for the correctness completeness and topicality of the information is restricted to gross negligence. Version: 05/16

Murrelektronik GmbH | Falkenstraße 3, 71570 Oppenweiler | Fon +49 (71 91) 47-0, Fax +49 (71 91) 47-491000 | shop@murrelektronik.com | shop.murrelektronik.com

---

|                        |          |
|------------------------|----------|
| country of origin      | CZ       |
| customs tariff number  | 85411000 |
| minimum order quantity | 1        |

---