

EMPARRO CAP BUFFER MODULE

IN:47-56 VDC OUT: 46-46VDC/20A for 100ms

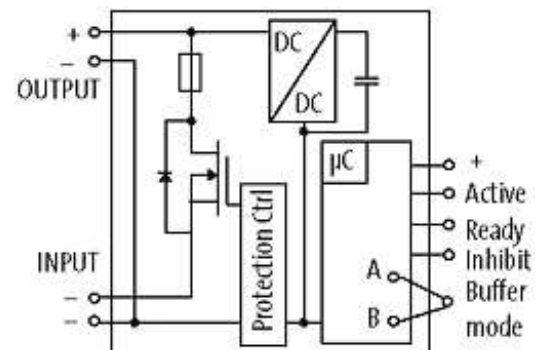
INPUT: 48 V DC (SELV/PELV)

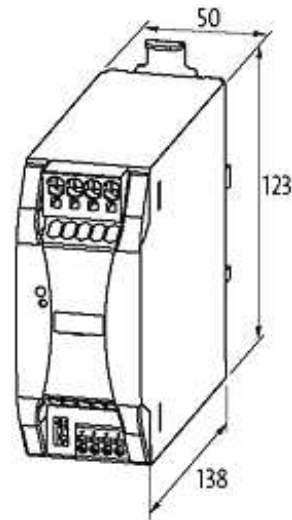
OUTPUT: max. 20 A

Buffer time: 0.1 s

[Link to Product](#)

Illustration





Product may differ from Image

Approvals



Input

Input voltage	46...56 V DC (SELV/PELV)
Input current	60 mA
Protection of voltage spikes	max. 72 V DC
Loading time	20...45 s
Loading current	max. 500 mA

General data

Standards	EN 61000-6-2, EN 61000-6-3, EN 55022 B
Efficiency	99 %
Mounting method	DIN-rail mountable TH35 (EN 60715)
Dimensions H x W x D	115x62x145 mm
Temperature range	-25...+60 °C, ...+70 °C derating (storage temperature -40...+85 °C)

Output

Output voltage	48 V DC (46...56 V DC)
Output current	max. 20 A
Current limit	26 A
Buffer time	0.1 s (20 A); 2 s (1 A)
Ripple	max. 200 mVrms
Parallel circuit	possible

Commercial data

country of origin	CZ
customs tariff number	85322200

minimum order quantity

1