

NT 3 AC-DC/DC-CONVERTER, LINEAR REGULATED

IN: 10-32VAC/12-42VDC OUT: 5-35V/3,5ADC

INPUT: 10...35 V AC/12...42 V DC

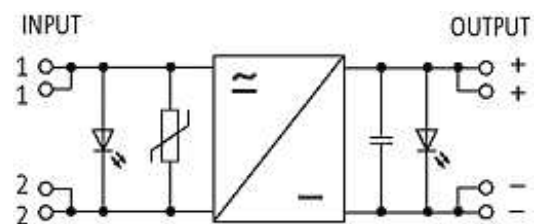
OUTPUT: 5...35 V DC

Output rating: 122 W

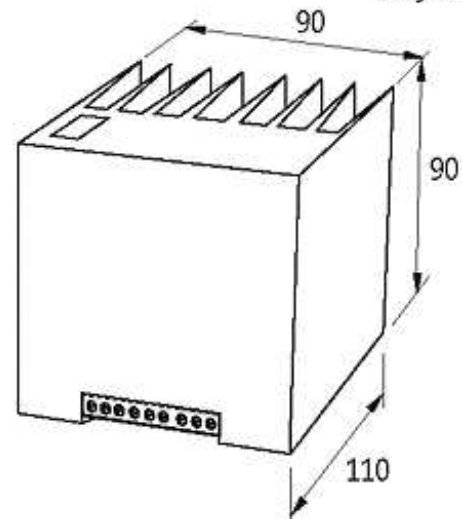
Current: 3.5 A

[Link to Product](#)

Illustration



stay connected



Product may differ from Image

Input

Input voltage	10...32 V AC/12...42 V DC
Input current	max. 3 A
Frequency	50...60 Hz
Input fuse (internal)	6.3 A (T)

General data

Mounting method	DIN-rail mountable TH35 (EN 60715)
Temperature range	-20...+60 °C, no condensation

Output

Output voltage	5...35 V DC (SELV), $U_{out-max.} = U_{in} - 5 V$
Output current	max. 3.5 A
Ripple	max. 300 mVrms
Output fuse	short-circuit protected

Commercial data

country of origin	CZ
customs tariff number	85044090
minimum order quantity	1