

DEMAGNETIZER WITH ALARM CONTACT

Input: 24VDC Output: 24VDC / 1,5A

INPUT: 24 V DC

OUTPUT: 24 V DC

max. 1.5 A (short-circuit protected)

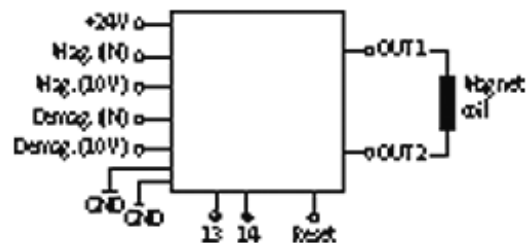
Screw terminals

potential free 30 V AC/DC, 100 mA

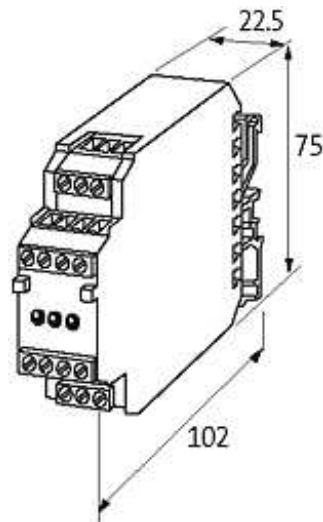
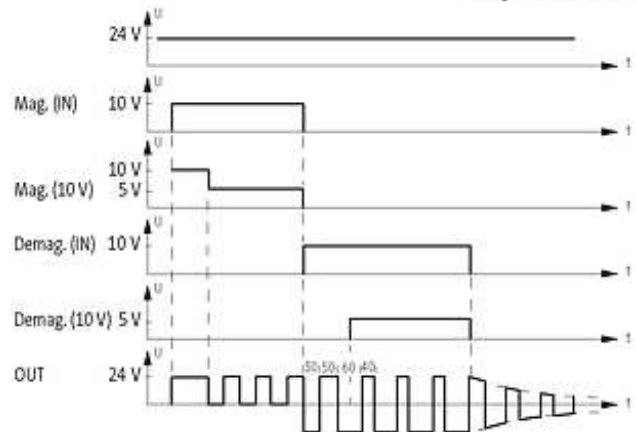
If the previous model 446140 is replaced by 446142, the Reset-Input must be conneted to +24 V DC

[Link to Product](#)

Illustration



stay connected



Product may differ from Image

Input

Input resistor	approx. 10 kOhm
Magnetization (digital)	safe OFF: max. 1V; safe ON: min. 5V (LED green)
Magnetization (analog)	0.8...8.8 V (0...100 %)
Demagnetization (digital)	safe OFF: max. 1V; safe ON: min. 5V (LED yellow)
Demagnetization (analog)	0...10 V (44...55 %)

General data

Protection	IP20
Mounting method	DIN-rail mountable (EN 60715)
Connection	Screw terminals
Temperature range	-25...+50 °C (storage temperature -40...+80 °C)
Dimensions H x W x D	75x22.5x102 mm

Technical Data

Operating voltage	24 V DC (18...30 V DC)
Operating current	approx. 40 mA
LED display	LED (green)
Invers-polarity protection	yes

Group alarm output potential free 30 V AC/DC, 100 mA

Output

Output voltage 24 V DC

Output current max. 1.5 A (short-circuit protected)

PWM frequency approx. 800 Hz

Commercial data

country of origin CZ

customs tariff number 85437090

minimum order quantity 1