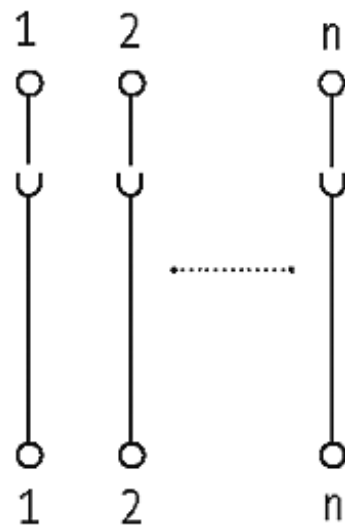


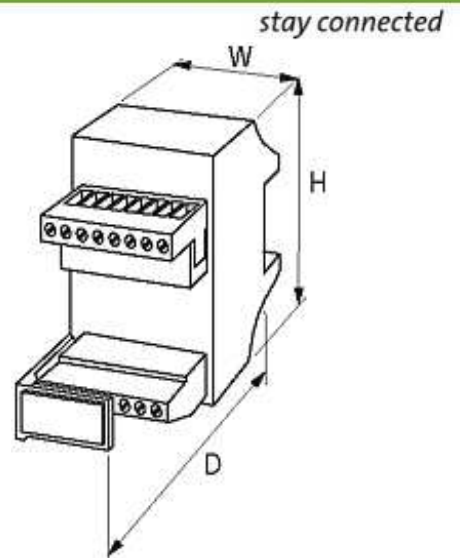
LUGS 16 FOR SIGNAL TRANSFER 250V/8 A

Mounting rail/pluggable spring clamps

16-pole

Push-In spring clamp terminals

[Link to Product](#)**Illustration**



Product may differ from Image

General data

Connection	Spring clamp plug-in terminals: max. 2.5 mm ² (AWG 14)
Mounting method	DIN-rail mountable (EN 60715)
Dimensions H × W × D	75×45×75 mm
Temperature range	-20...+60 °C

Technical Data

Operating voltage	max. 250 V AC
Operating current per bit	max. 8 A
Material group	EN 50178 over voltage, category I

Commercial data

country of origin	CZ
customs tariff number	85369010
minimum order quantity	1